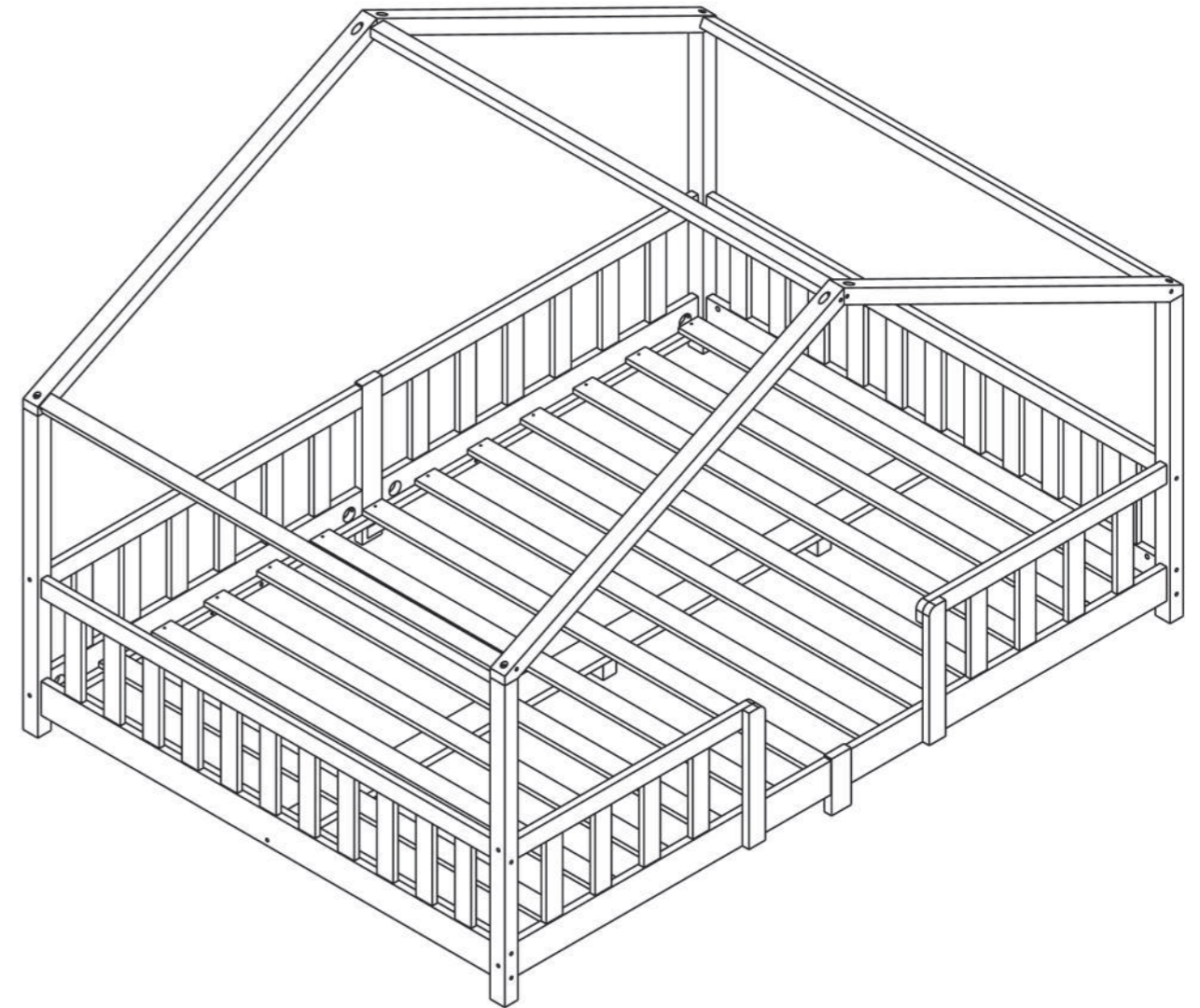
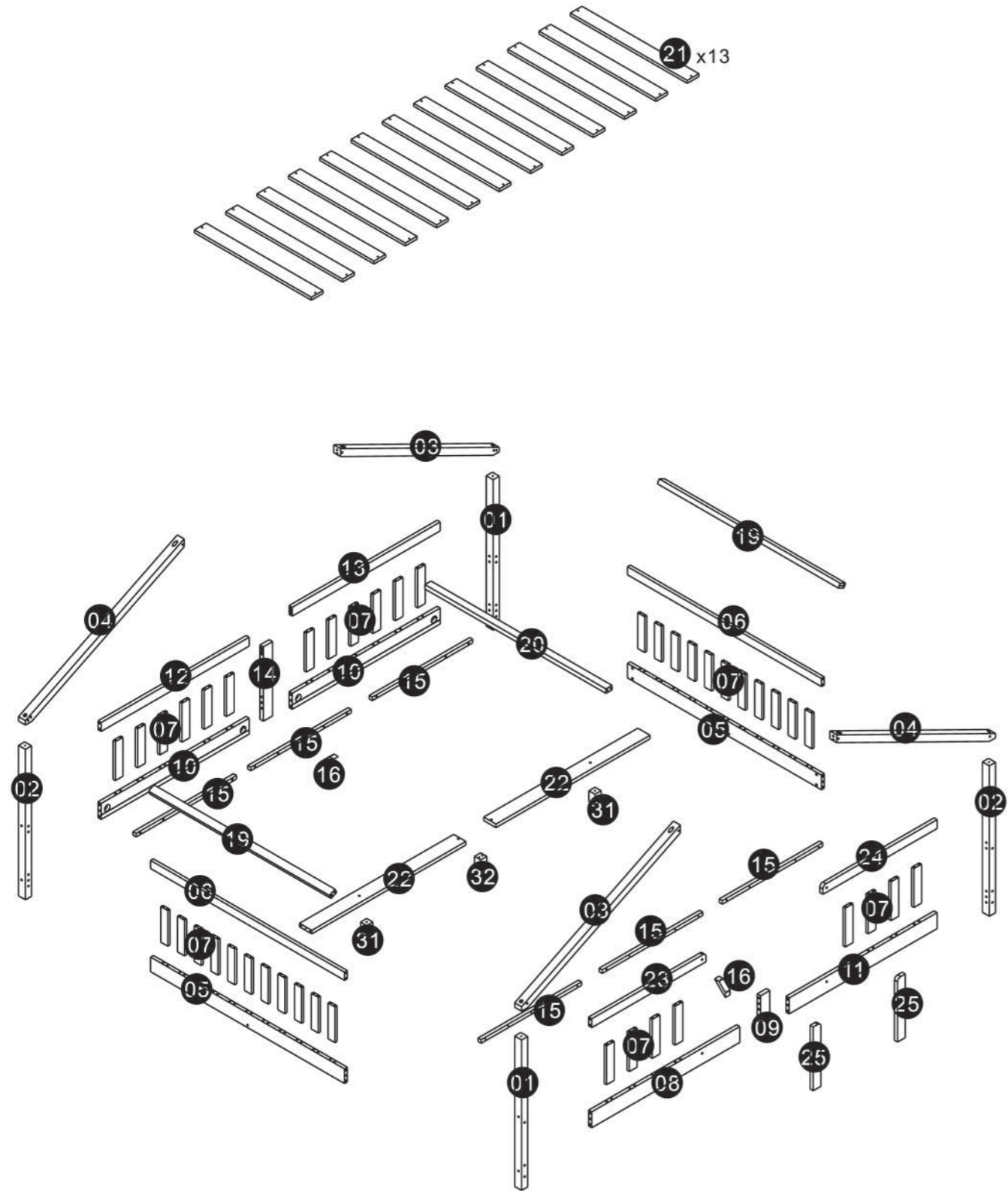





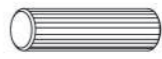


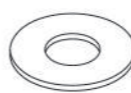





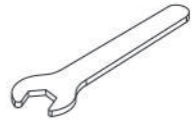



140x200cm Bed



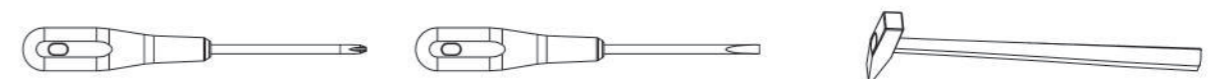
EXPLODED VIEW



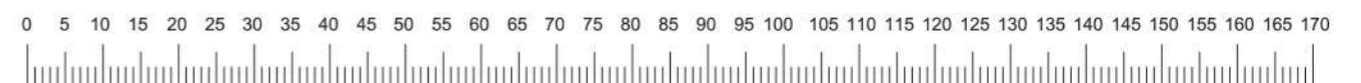
HARDWARE

<p>A x12</p>  <p>M6 x90mm</p>	<p>B x8</p> 	<p>C x16</p>  <p>∅6 x90mm</p>	<p>D x210</p>  <p>∅8 x30mm</p>	<p>E x3</p>  <p>M6 x140mm</p>
<p>F x10</p> 	<p>G x10</p> 	<p>H x10</p> 	<p>I x6</p>  <p>M6 x30mm</p>	<p>J x60</p>  <p>∅4 x30mm</p>
<p>K x2</p> 	<p>L x2</p> 	<p>M x2</p> 	<p>N x4</p>  <p>∅6 x80mm</p>	<p>O x2</p> 
<p>P x6</p>  <p>∅7x50mm</p>				

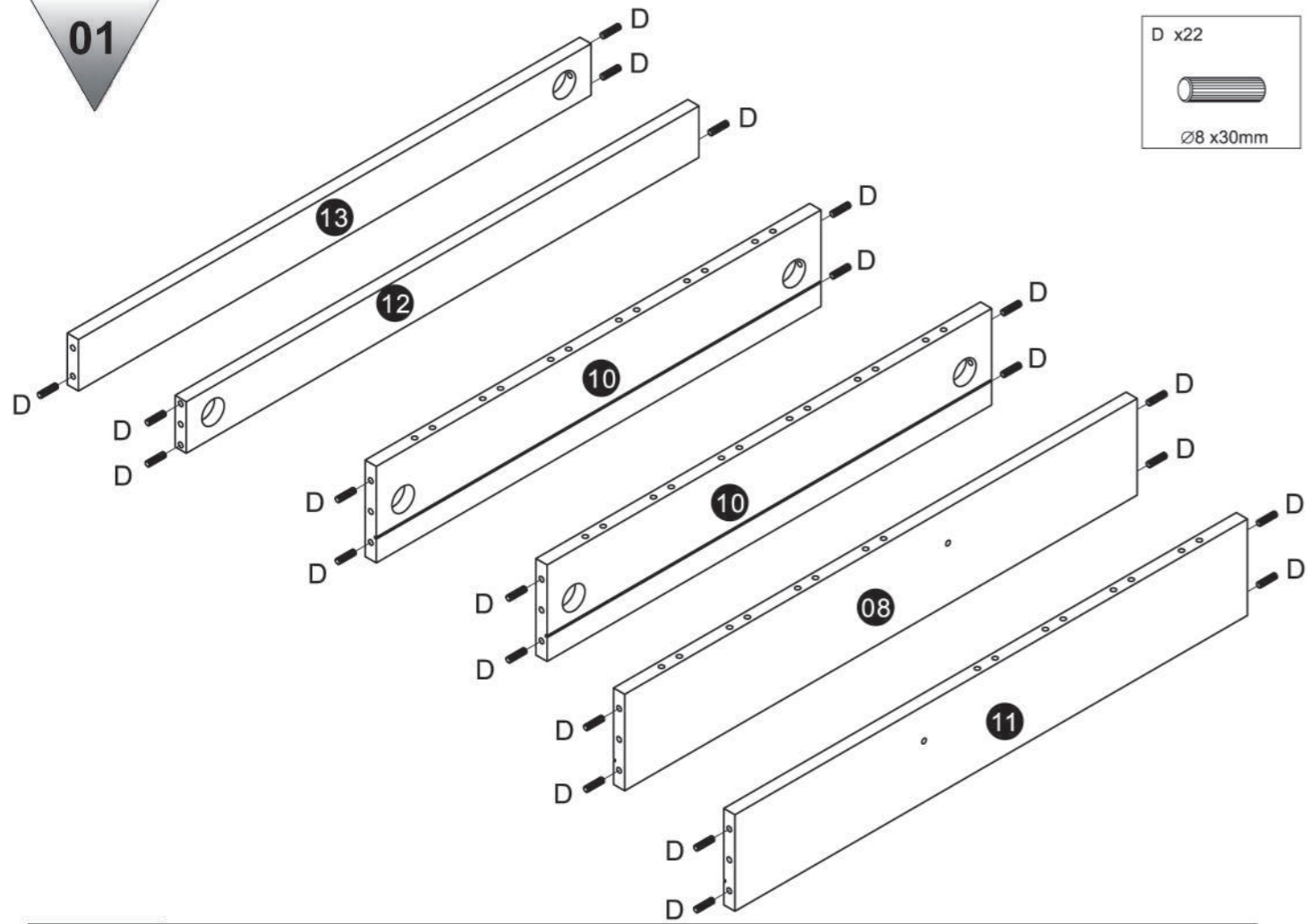
TOOLS



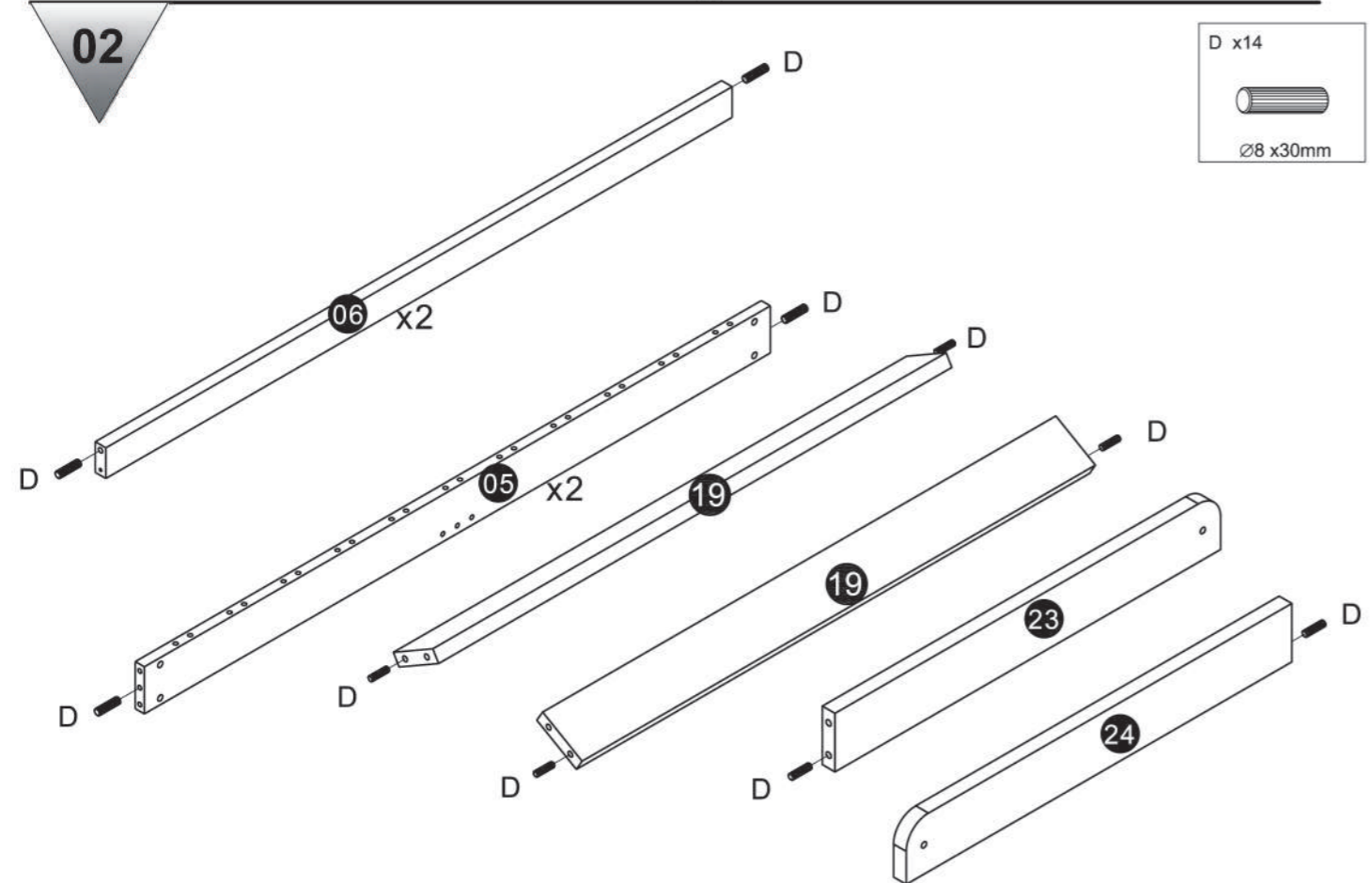
Ruler - Use this ruler to help correctly identify the screws



01

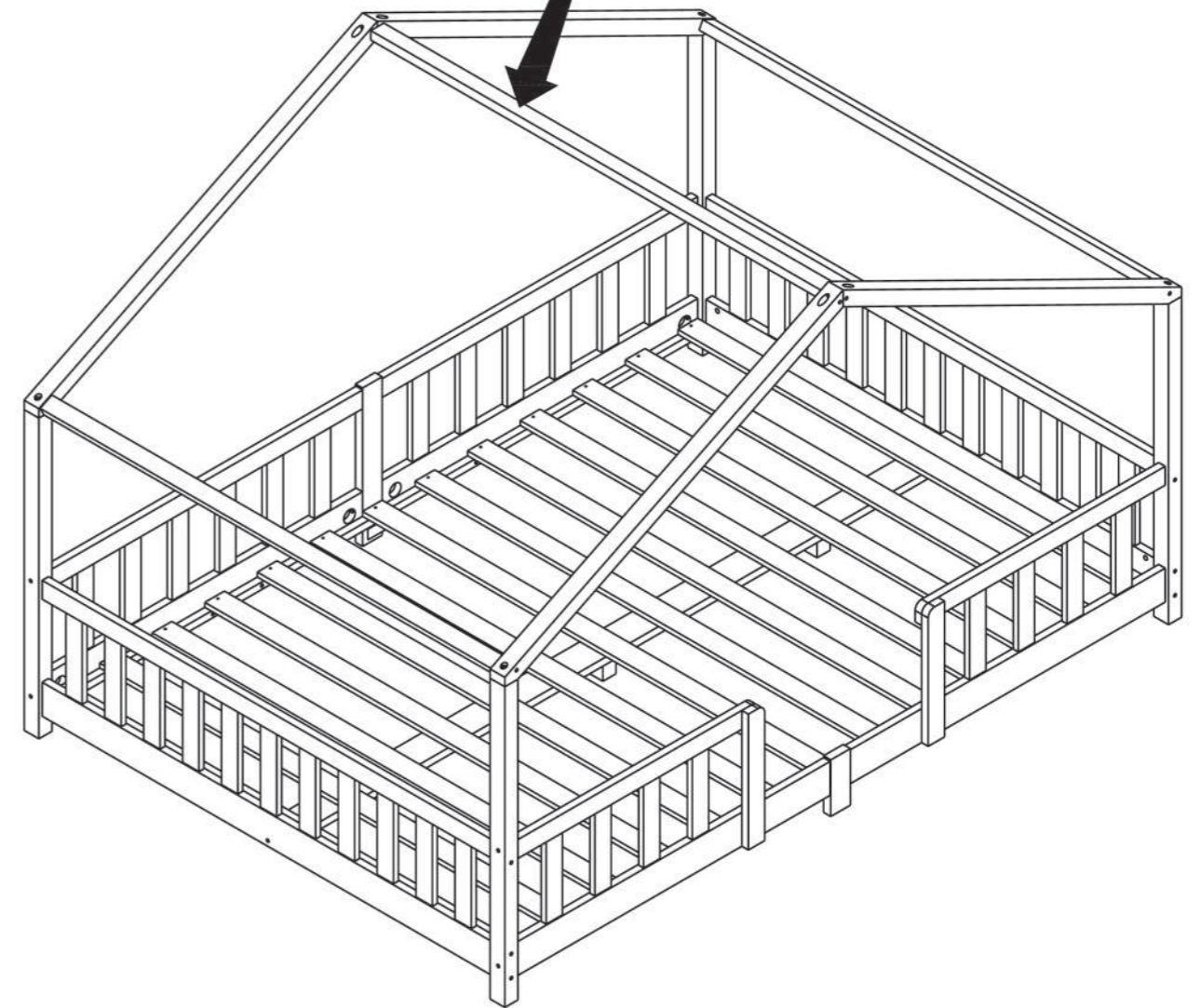


02

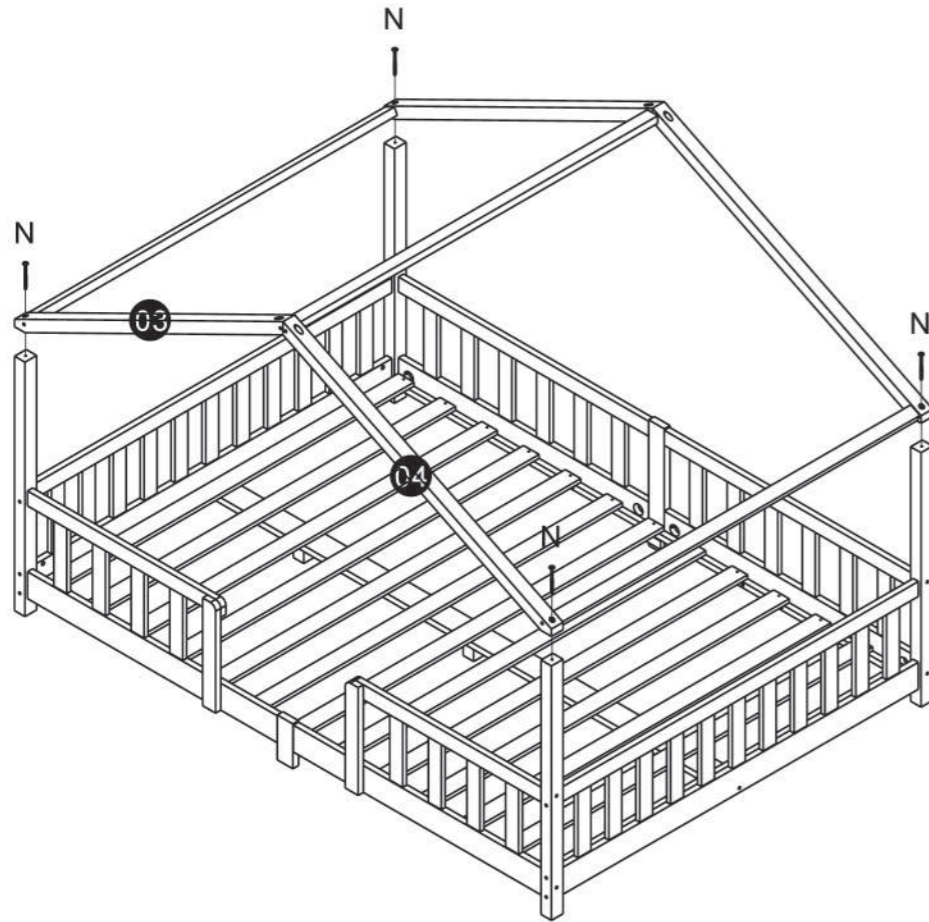




19

NO HANGING

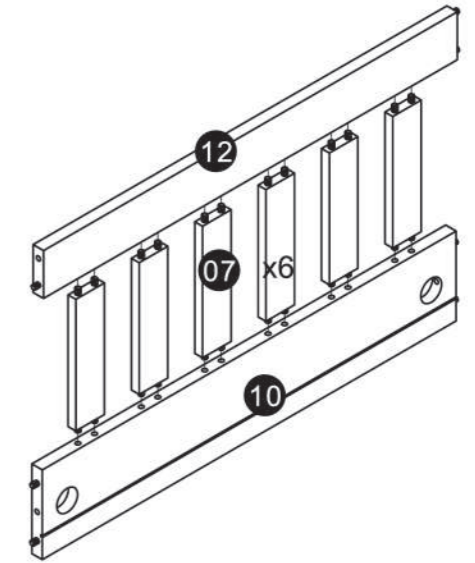
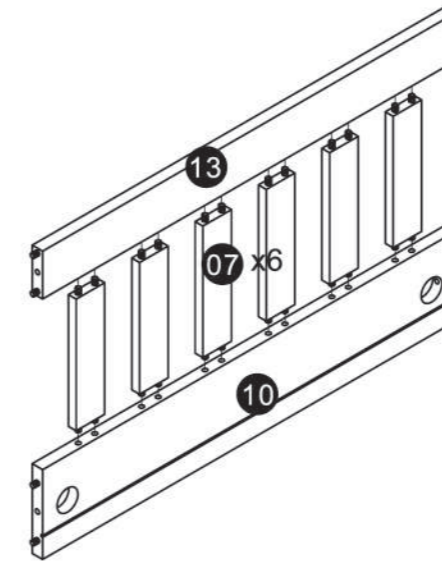
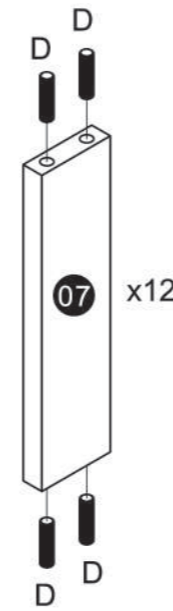



17



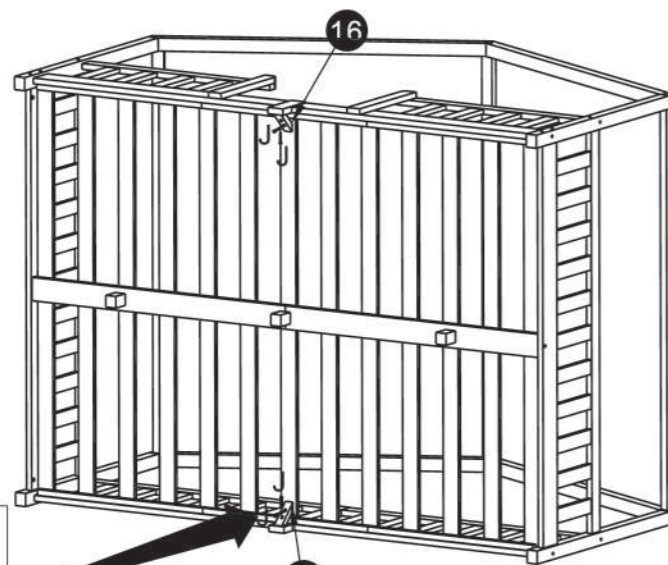
- N x4

 Ø6 x80mm
- L x1



03

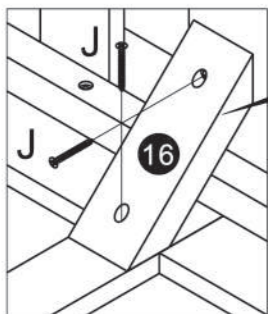


- D x48

 Ø8 x30mm

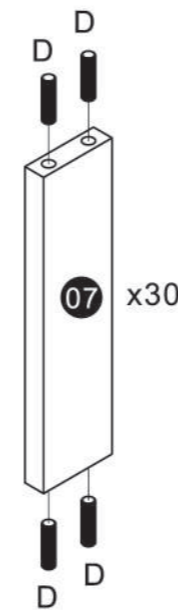
18




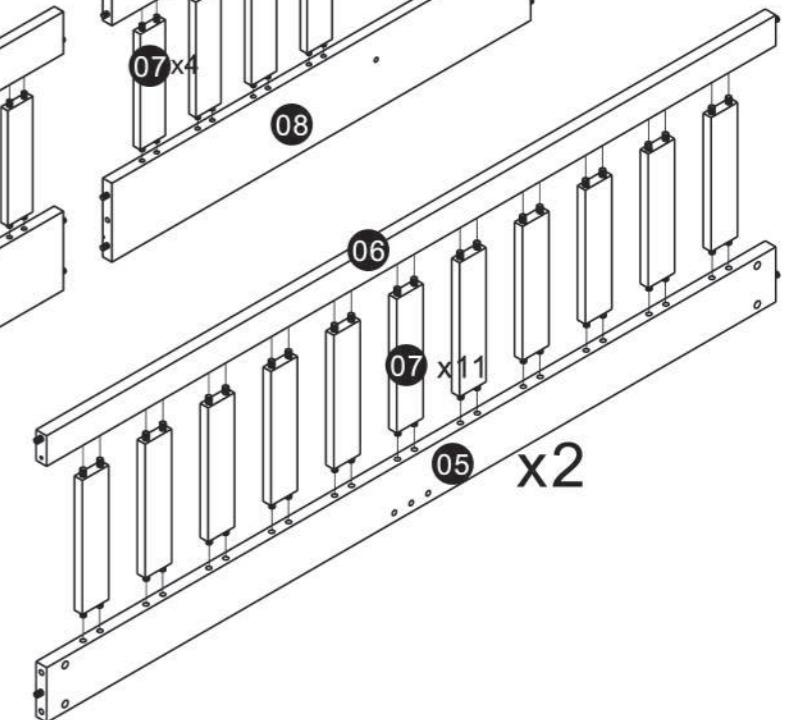
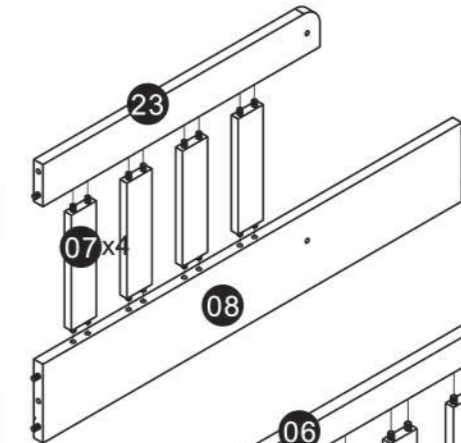
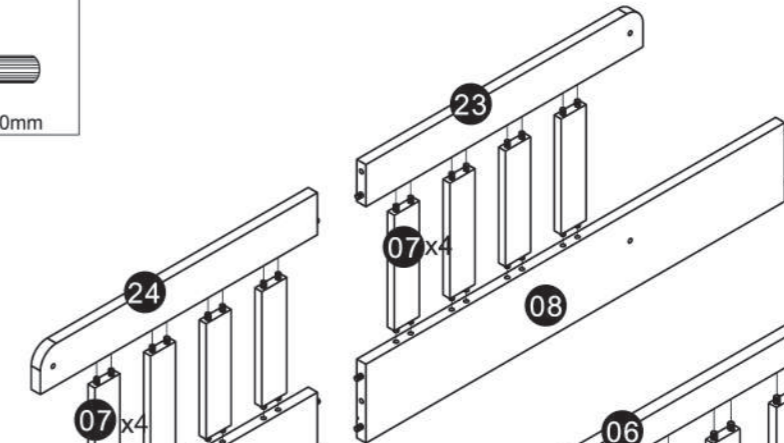
- J x4

 Ø4 x30mm

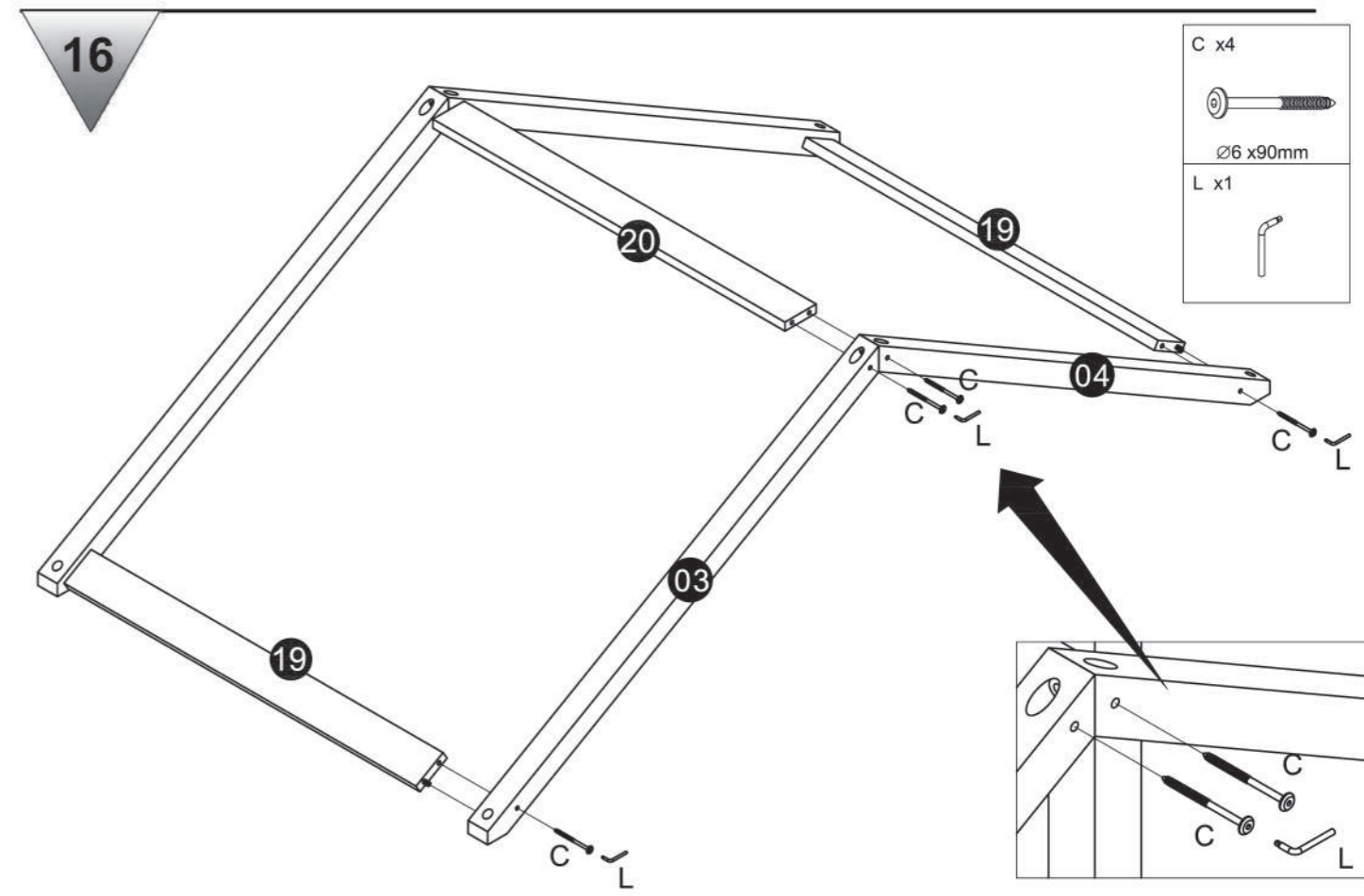
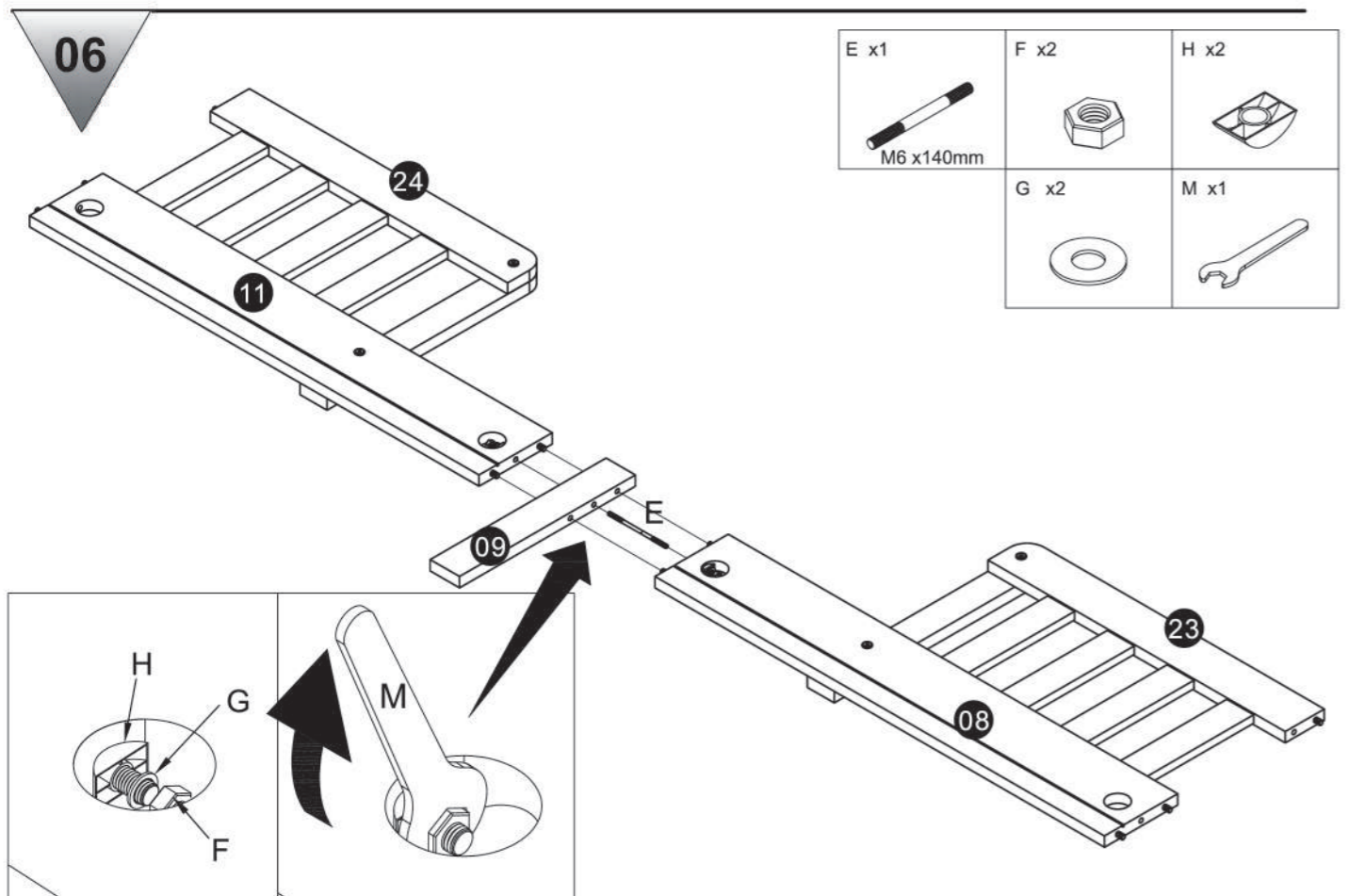
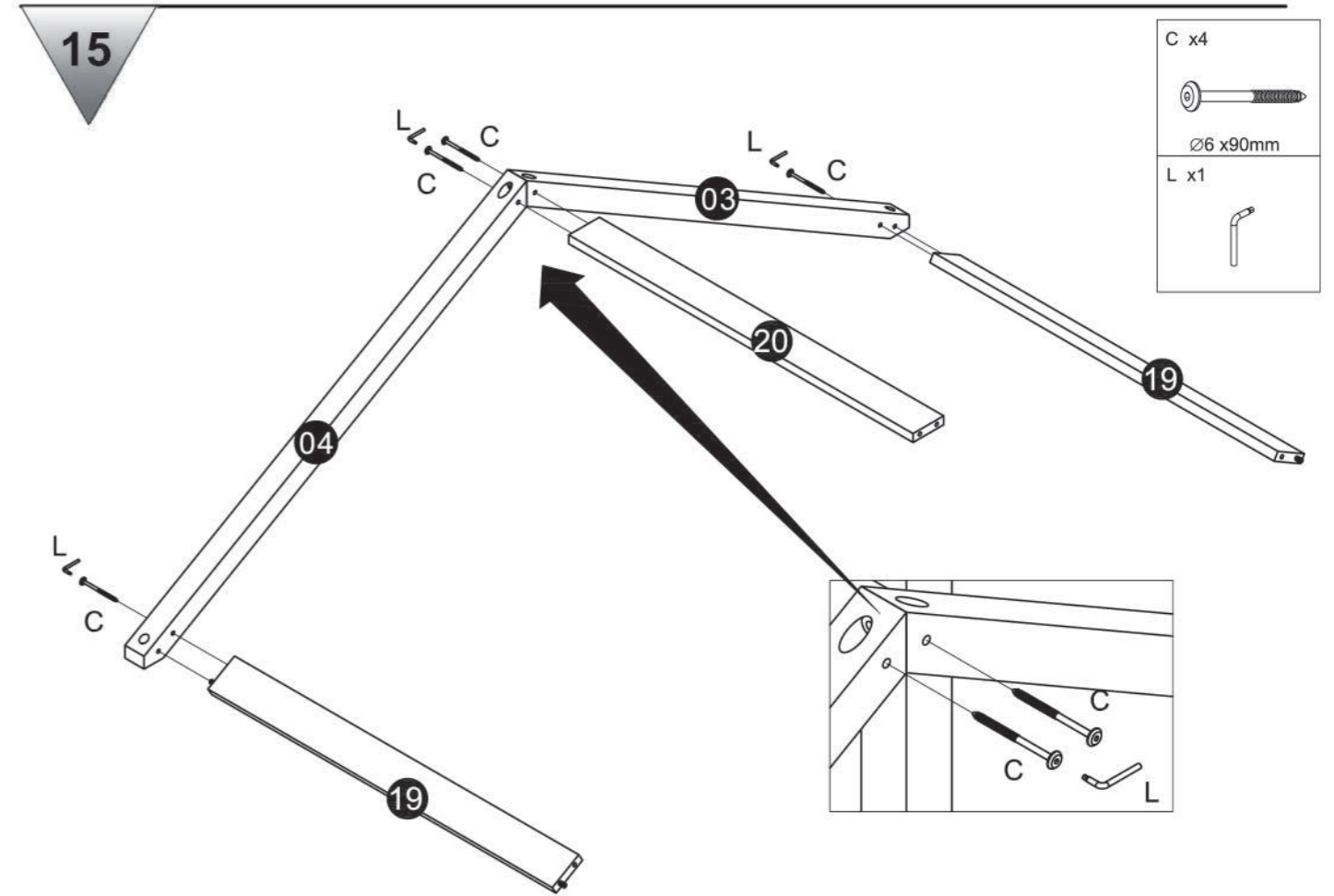
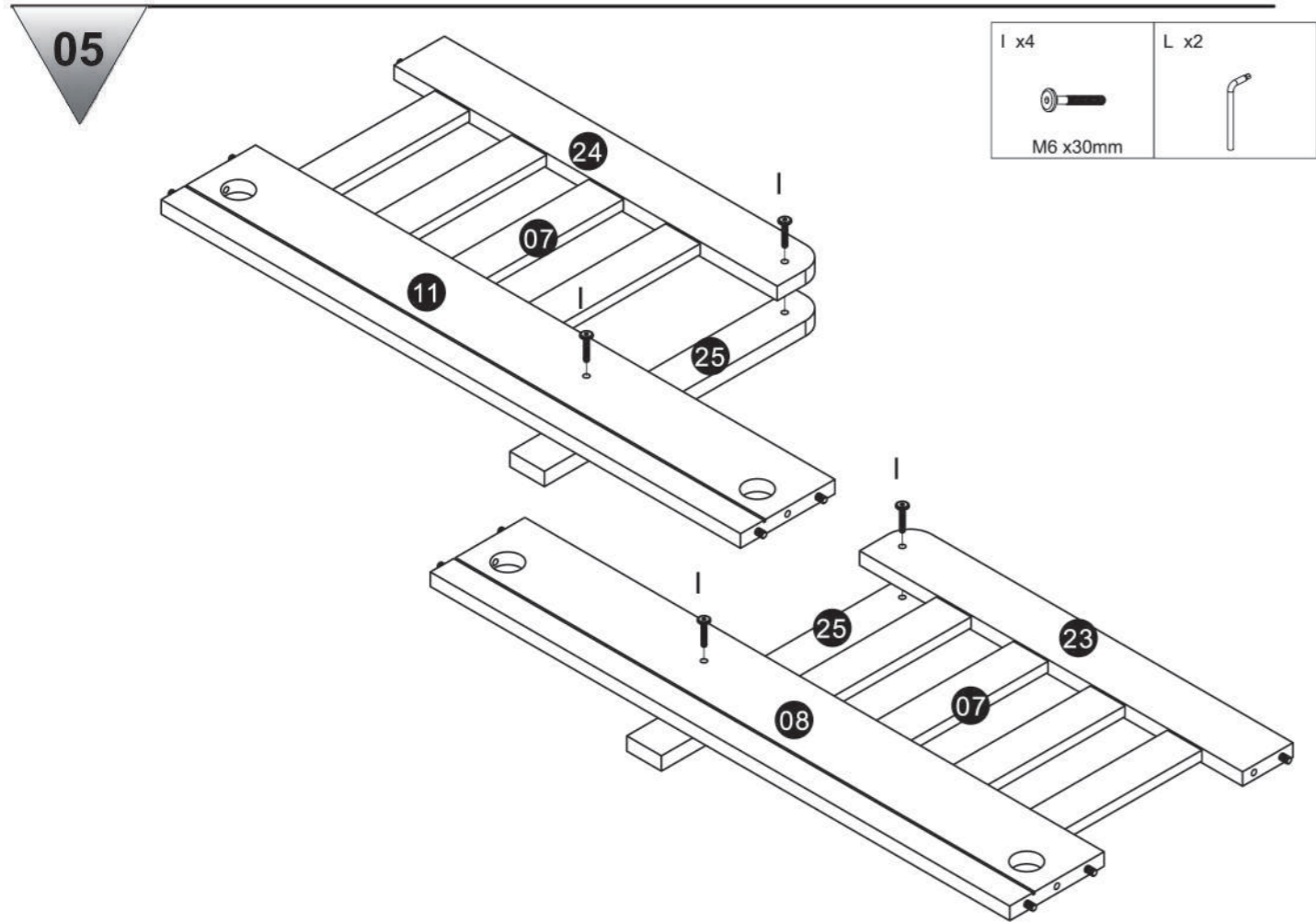


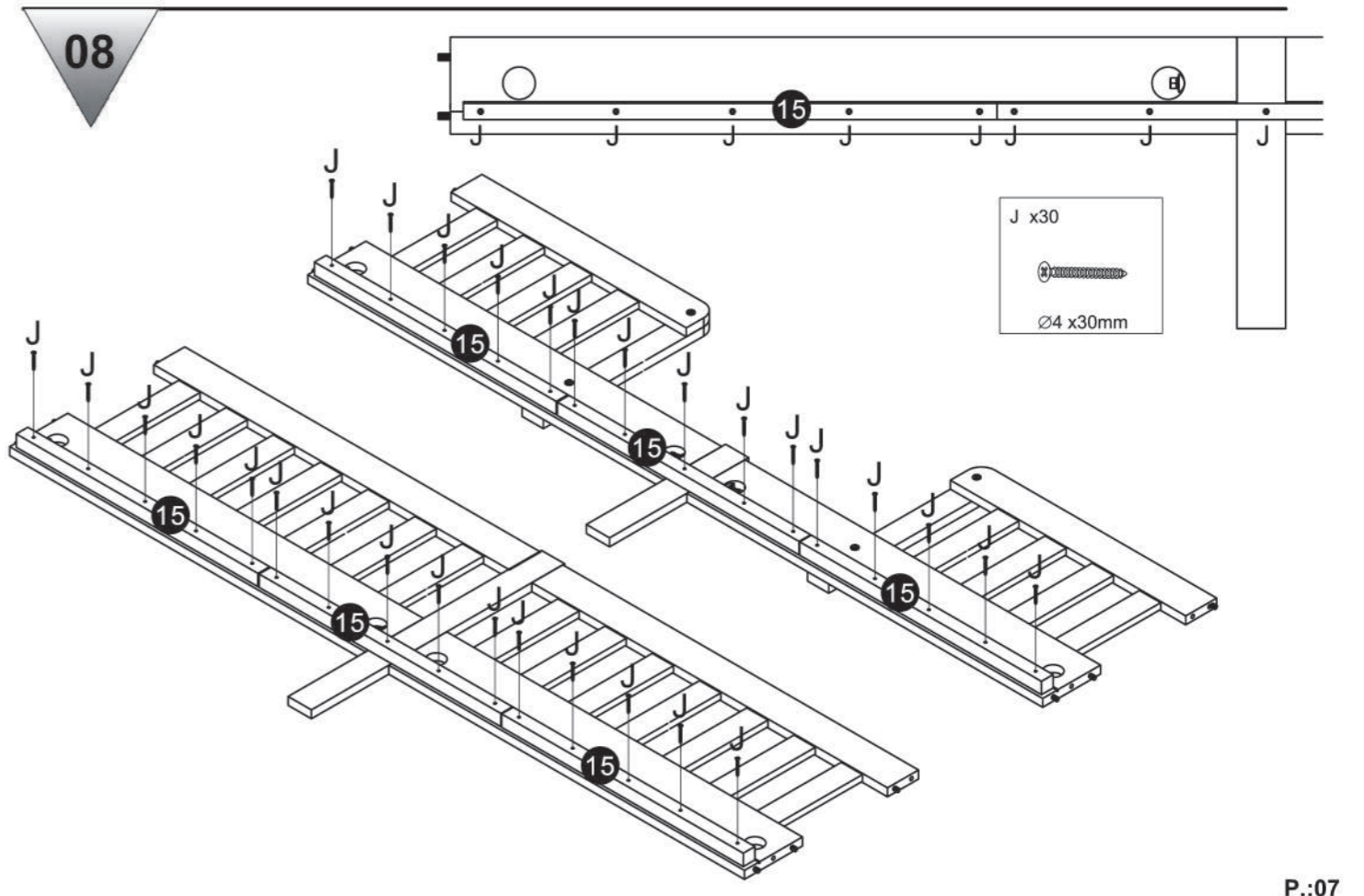
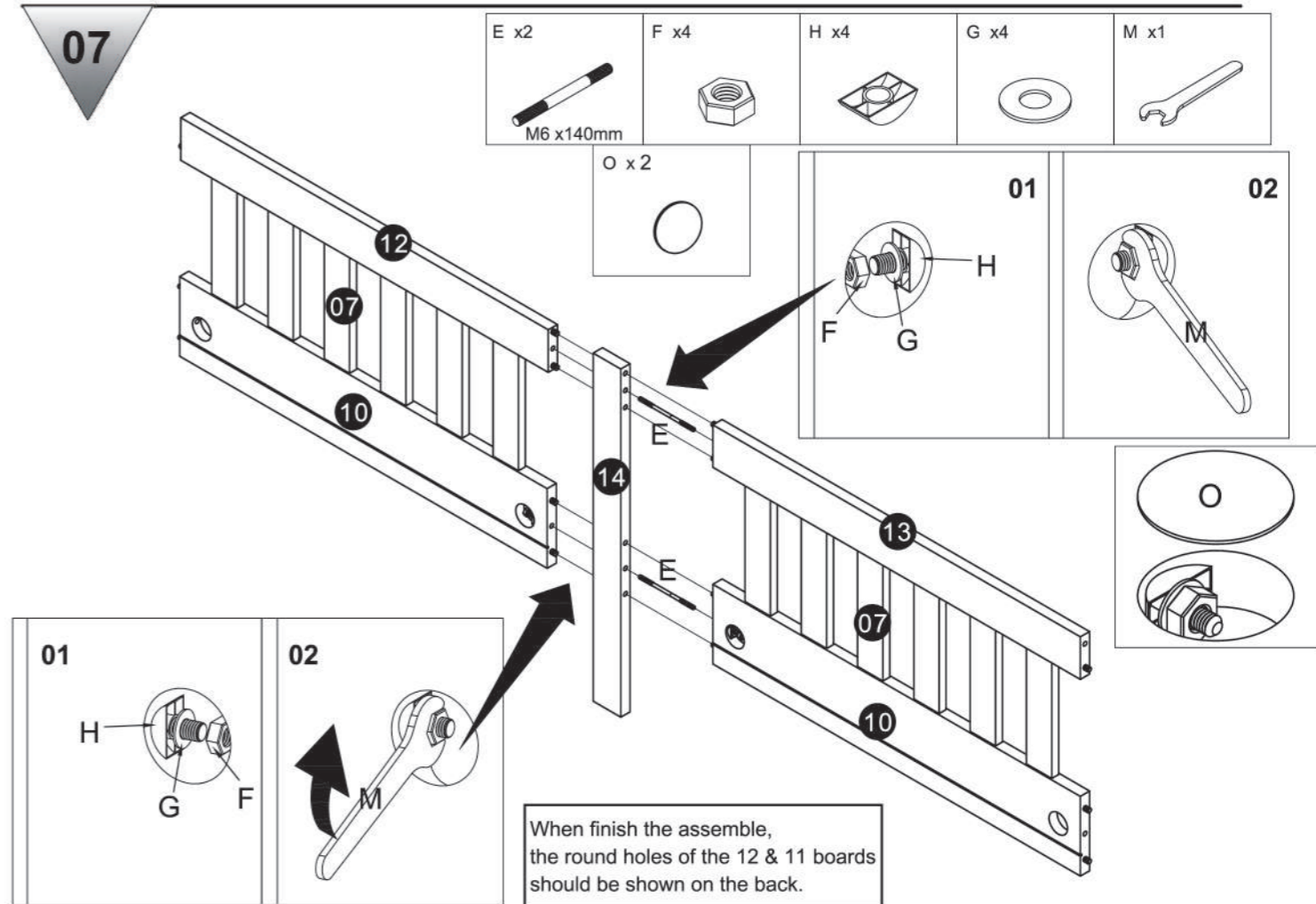
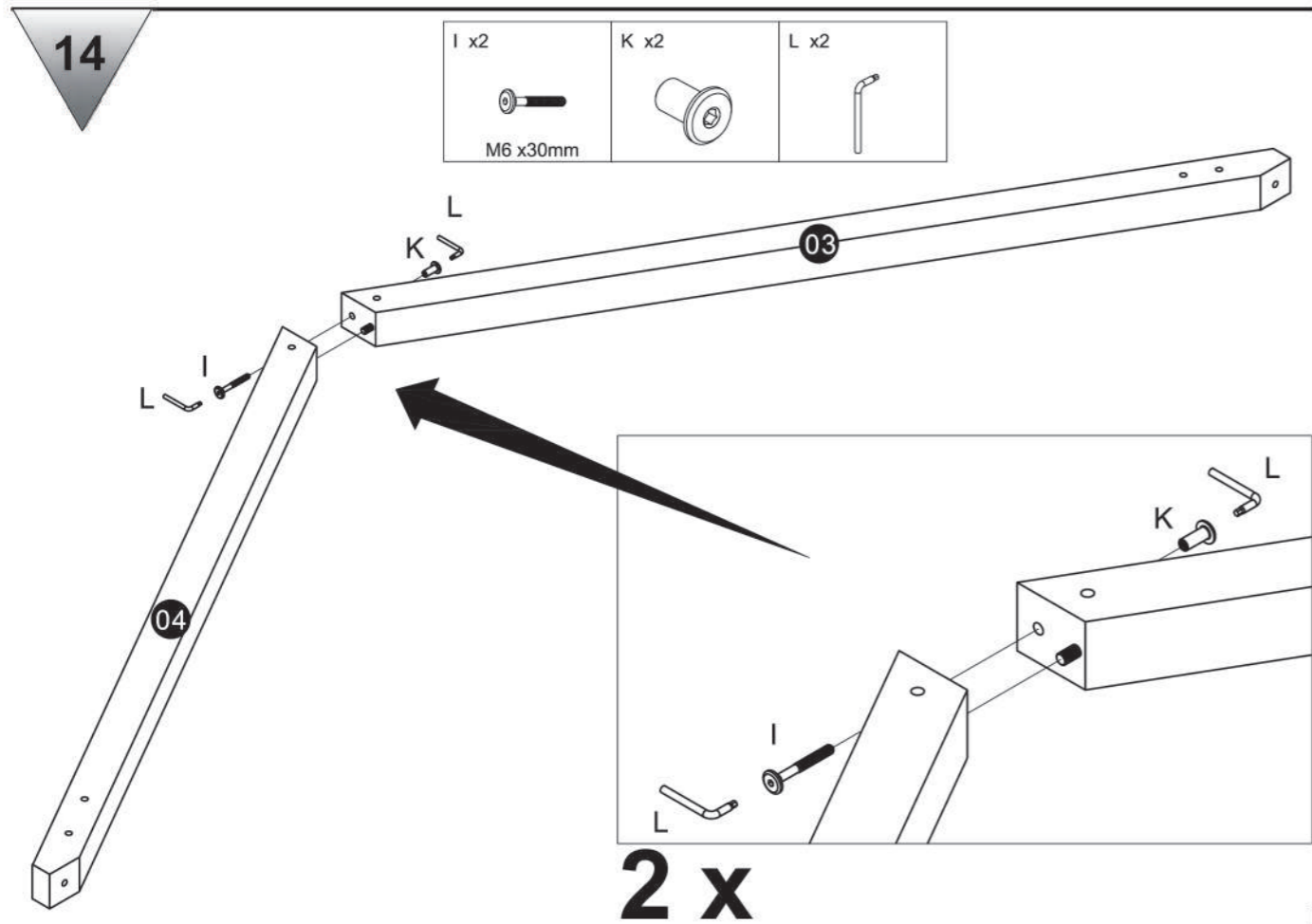
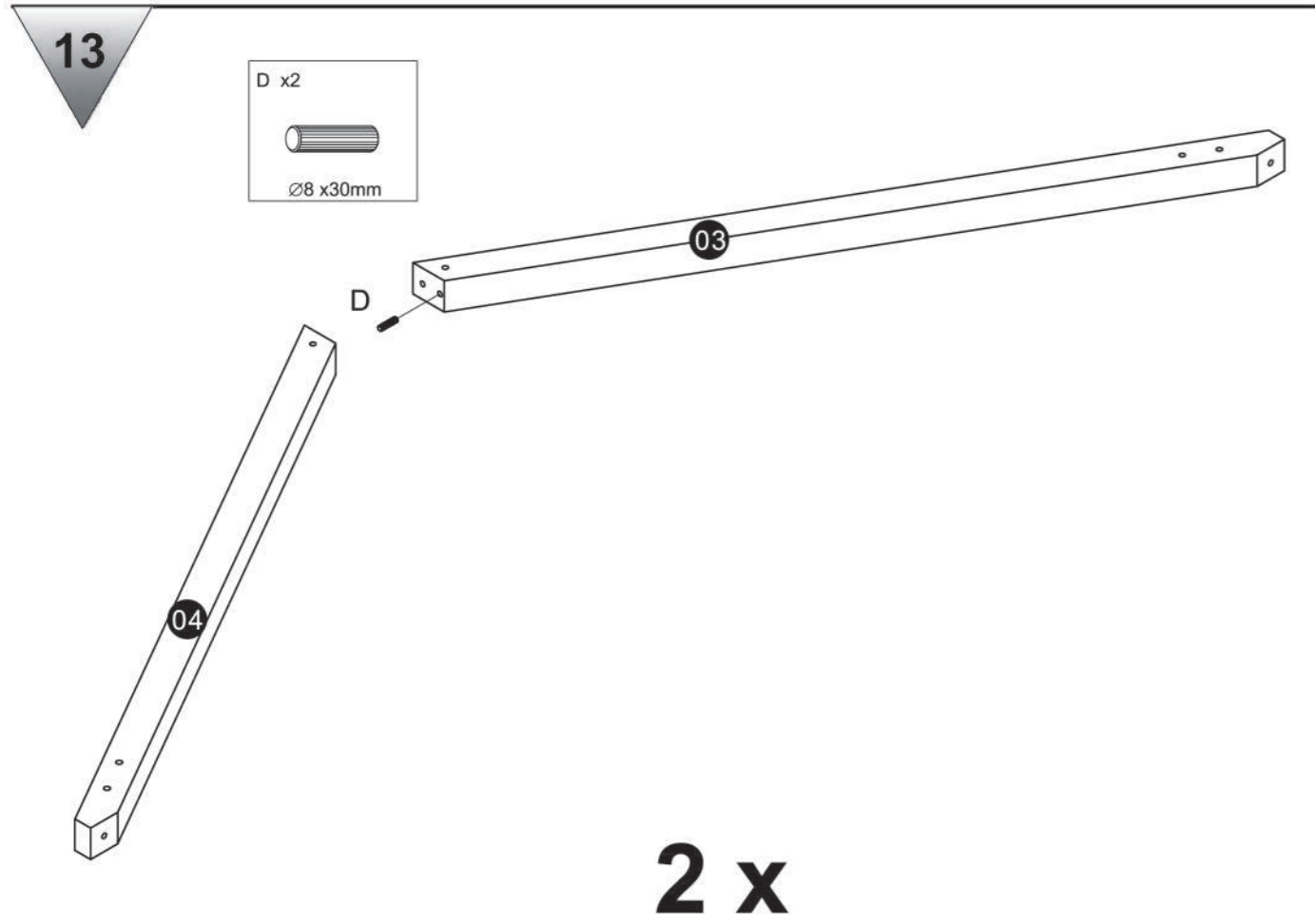
04







- D x120

 Ø8 x30mm

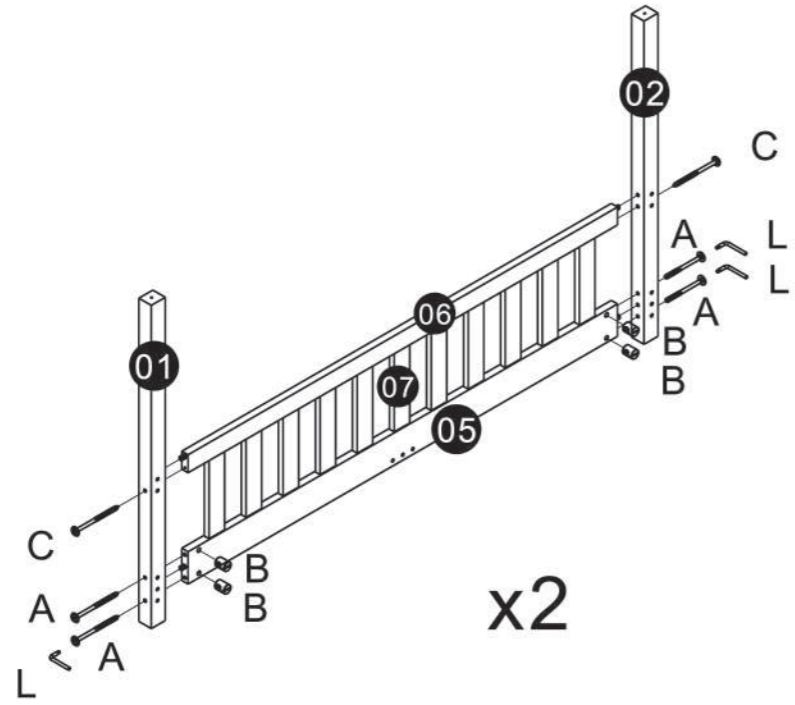








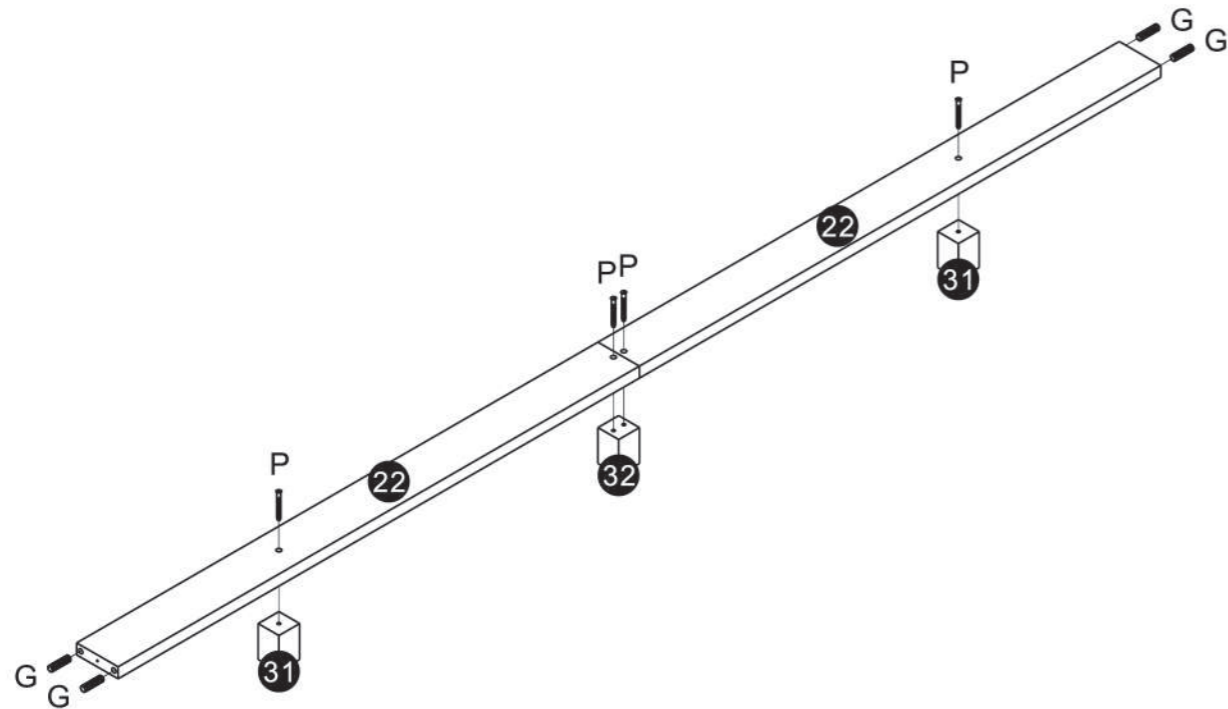
09

L x1 	A x8 M6 x90mm 	B x8 	C x4 Ø6 x90mm 
---	---	---	---











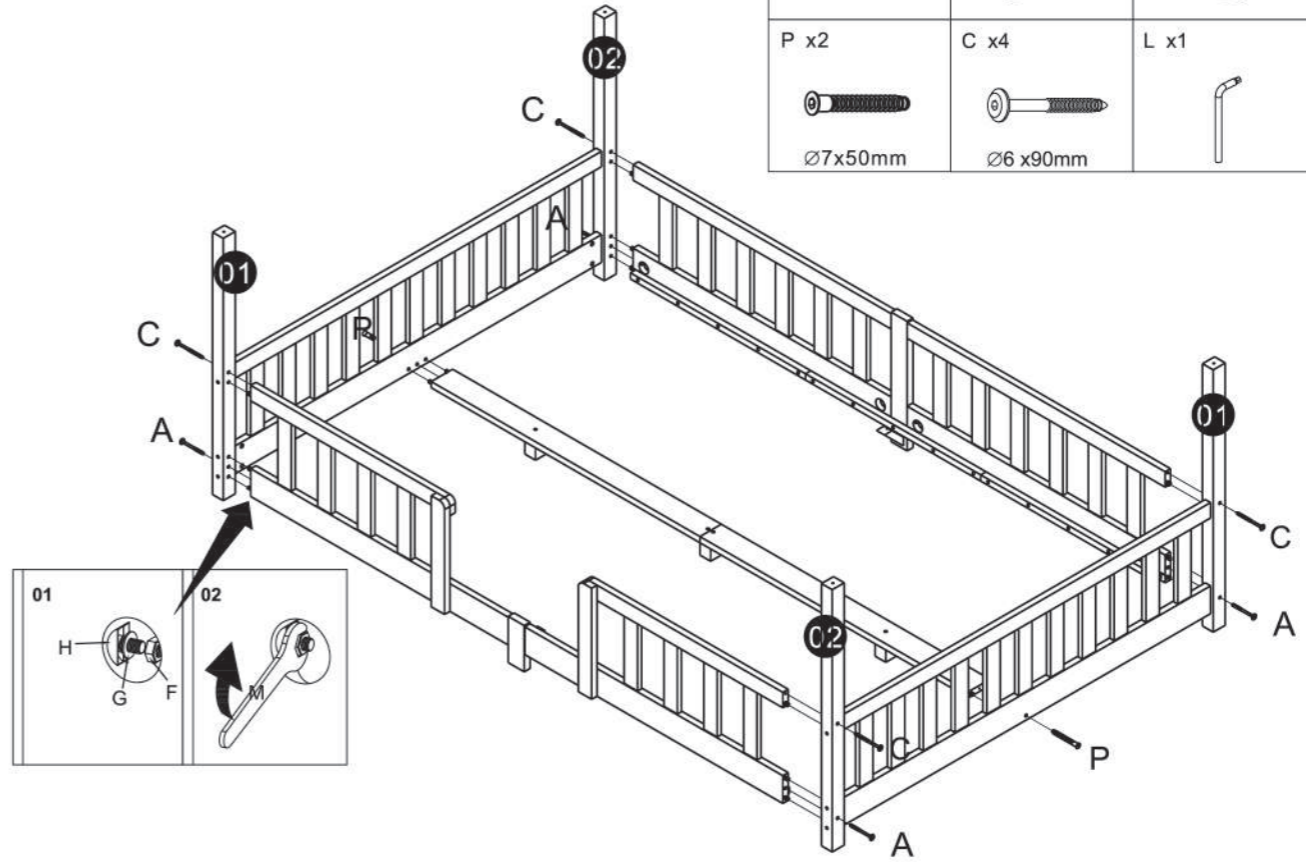
10

P x4 Ø7x50mm 	G x4 Ø8 x30mm 
--	---




11

G x4 	M x1 	F x4 	H x4 
P x2 Ø7x50mm 	C x4 Ø6 x90mm 	L x1 	A x4 M6 x90mm 



12

J x 26  Ø4 x30mm

