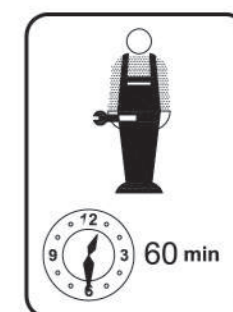
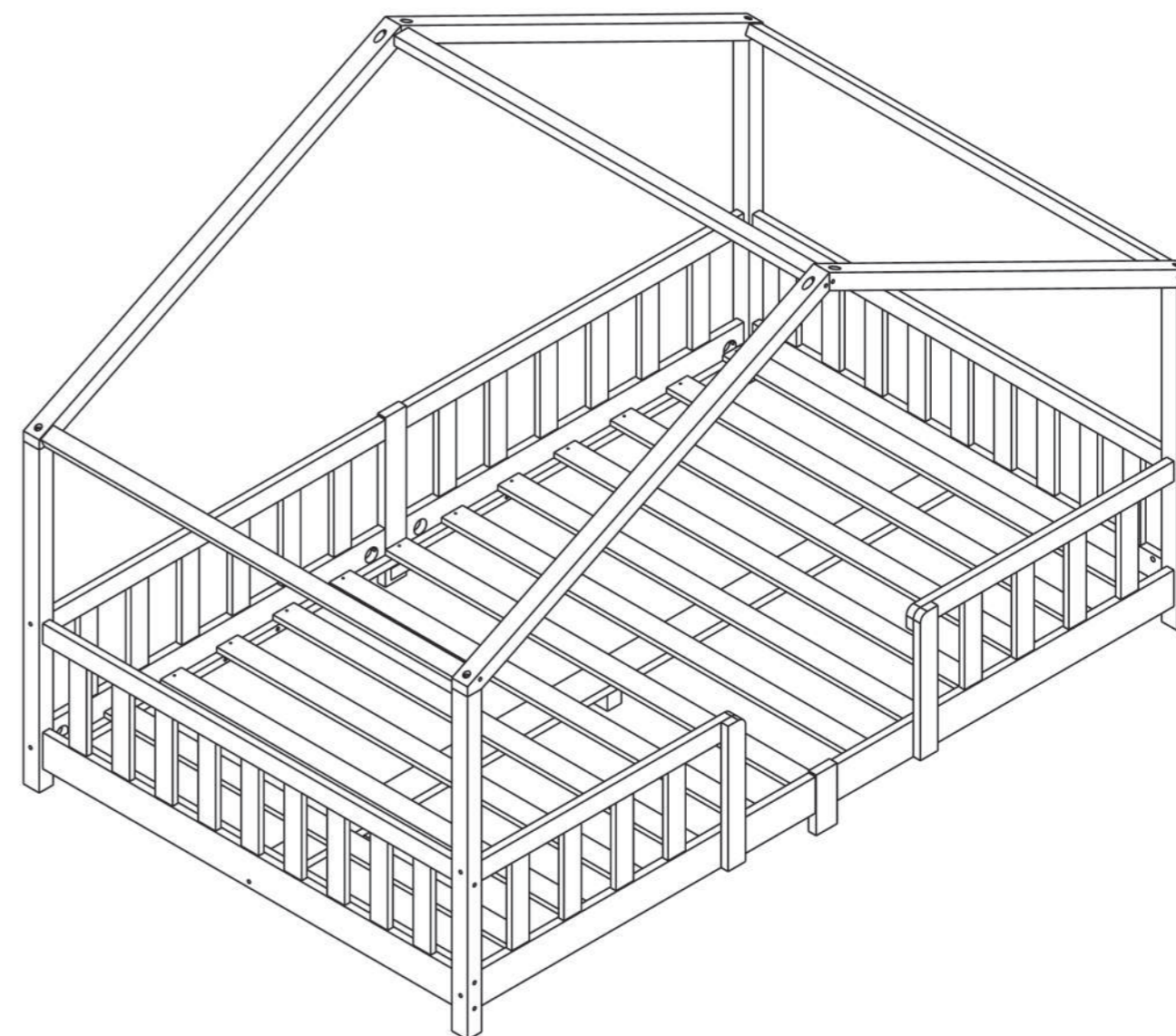
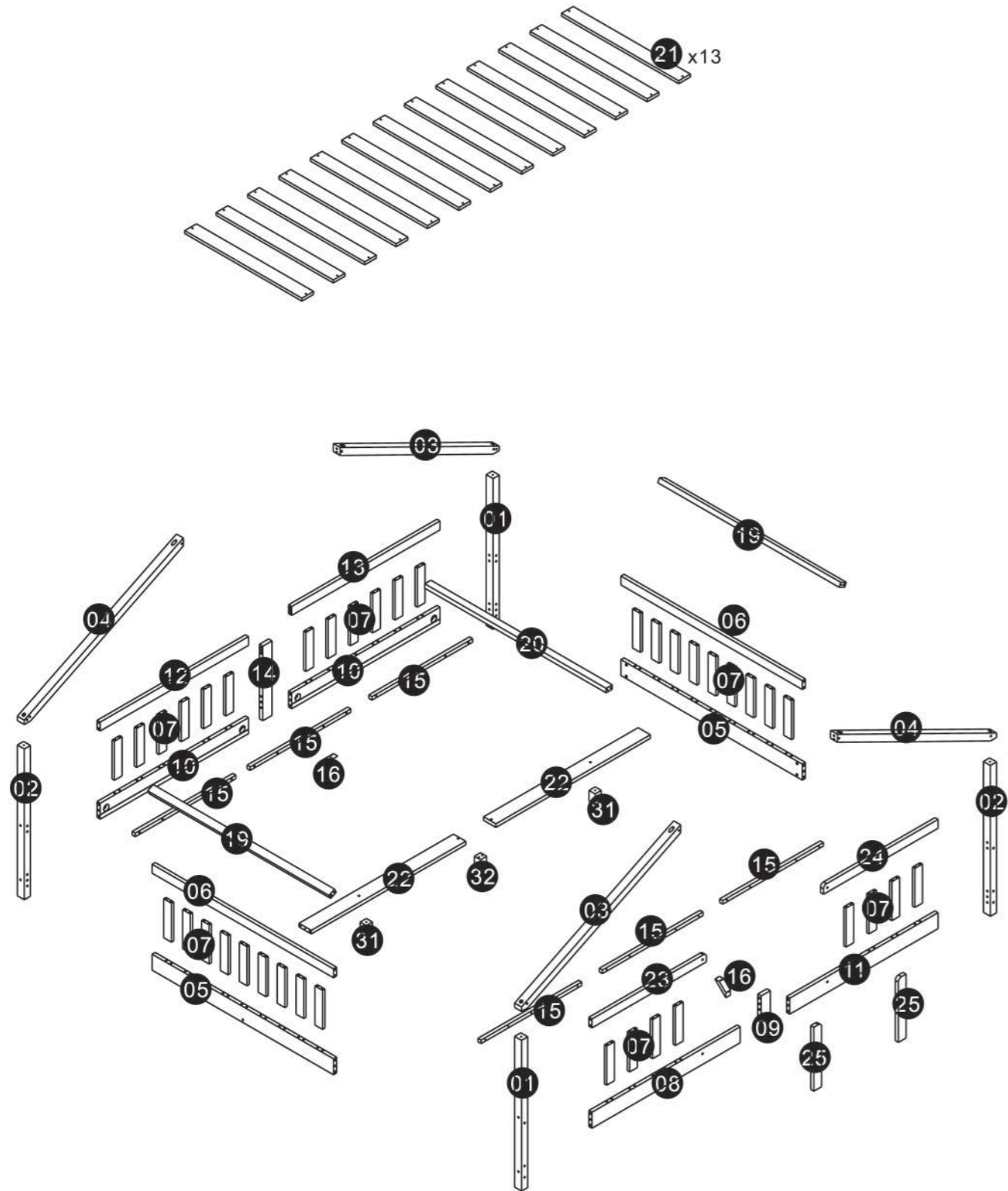





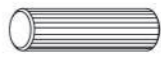


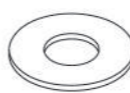









# 120x200cm Bed



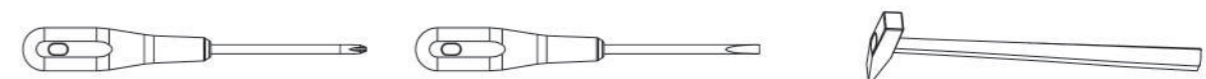
EXPLODED VIEW



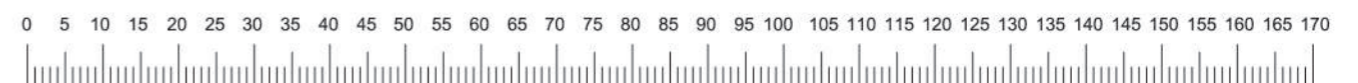
## HARDWARE

<p>A x12</p>  <p>M6 x90mm</p>	<p>B x8</p> 	<p>C x16</p>  <p>∅6 x90mm</p>	<p>D x194</p>  <p>∅8 x30mm</p>	<p>E x3</p>  <p>M6 x140mm</p>
<p>F x10</p> 	<p>G x10</p> 	<p>H x10</p> 	<p>I x6</p>  <p>M6 x30mm</p>	<p>J x60</p>  <p>∅4 x30mm</p>
<p>K x2</p> 	<p>L x2</p> 	<p>M x2</p> 	<p>N x4</p>  <p>∅6 x80mm</p>	<p>O x2</p> 
<p>P x6</p>  <p>∅7x50mm</p>				

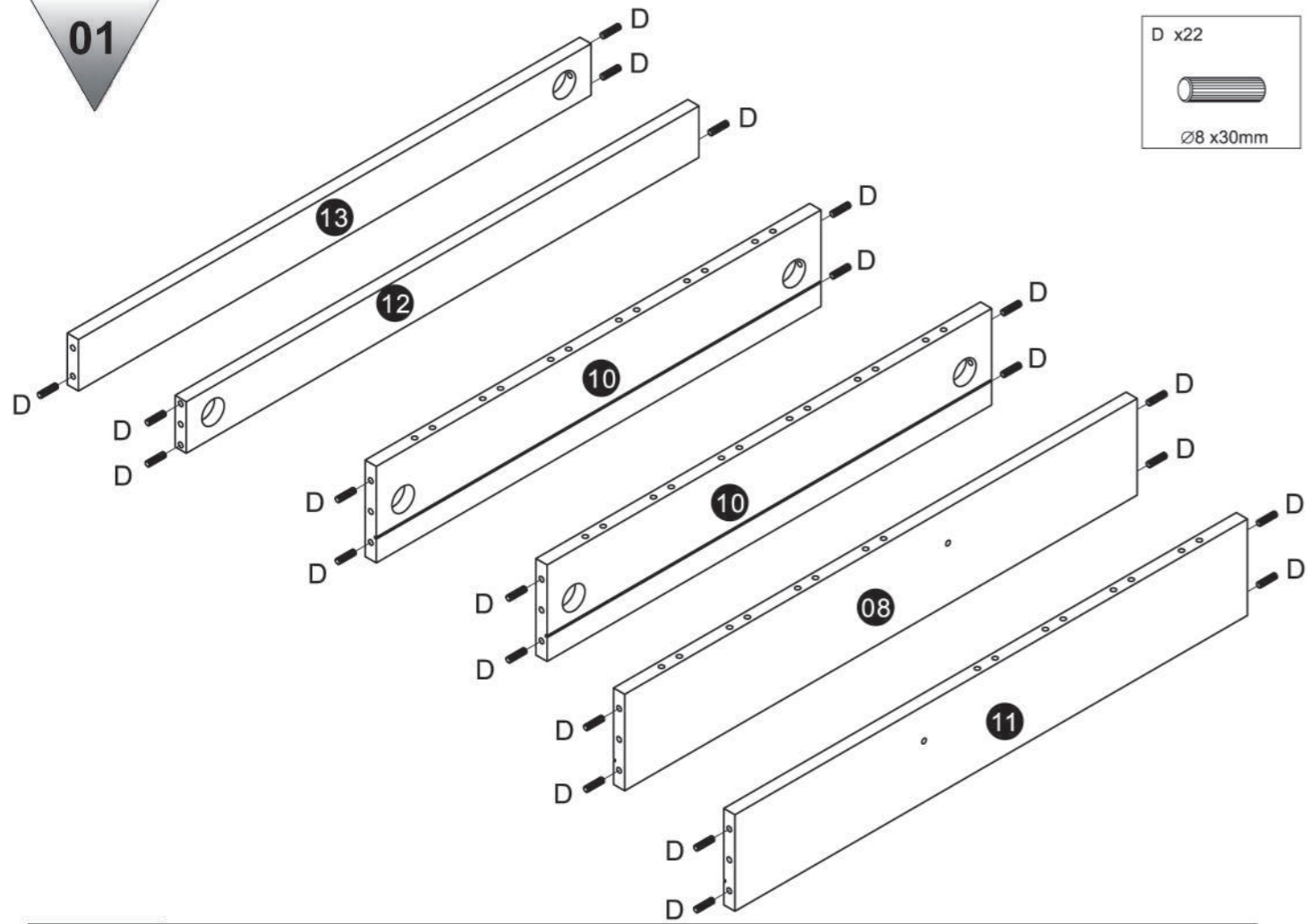
## TOOLS



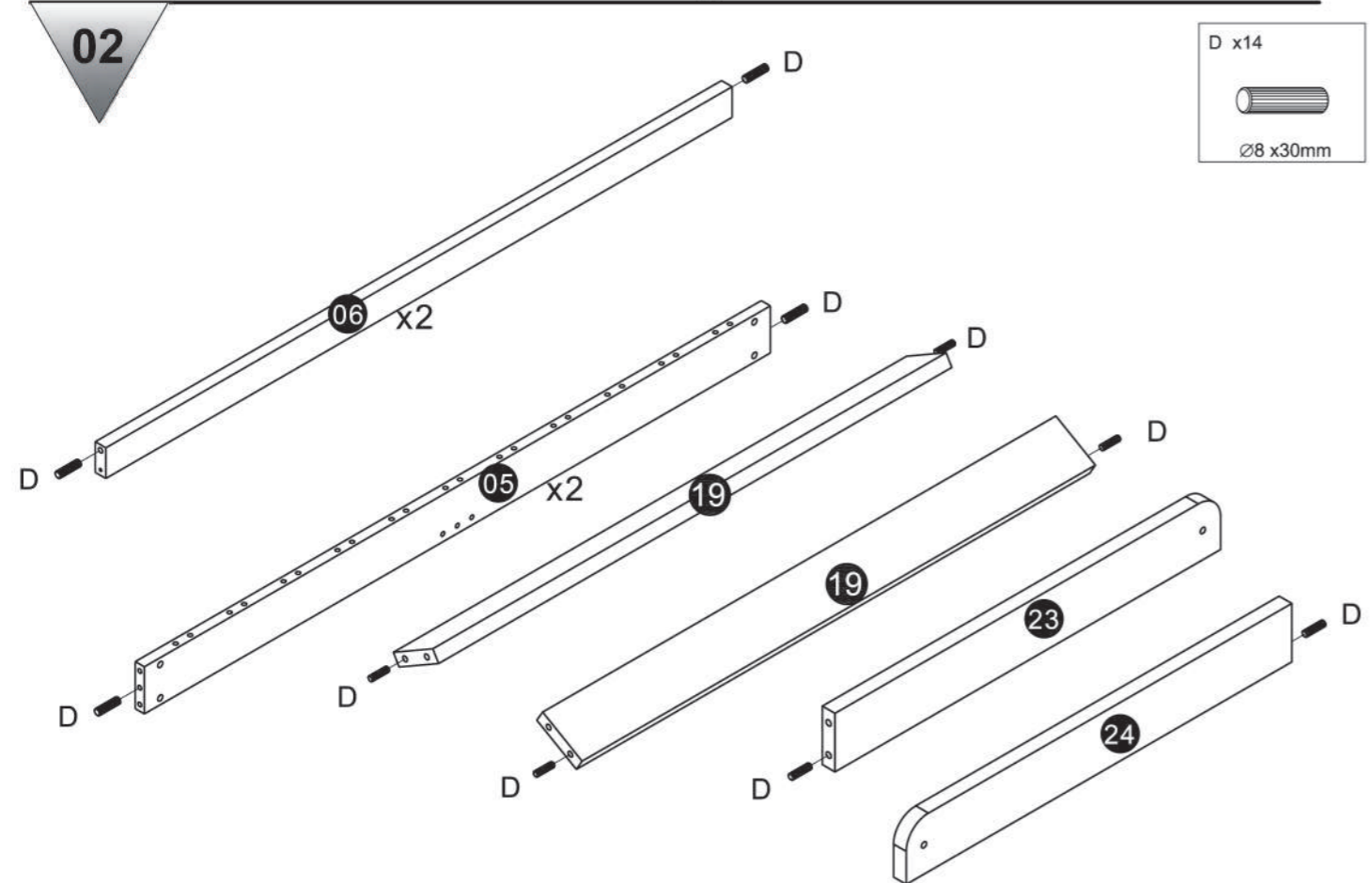
**Ruler** - Use this ruler to help correctly identify the screws



01

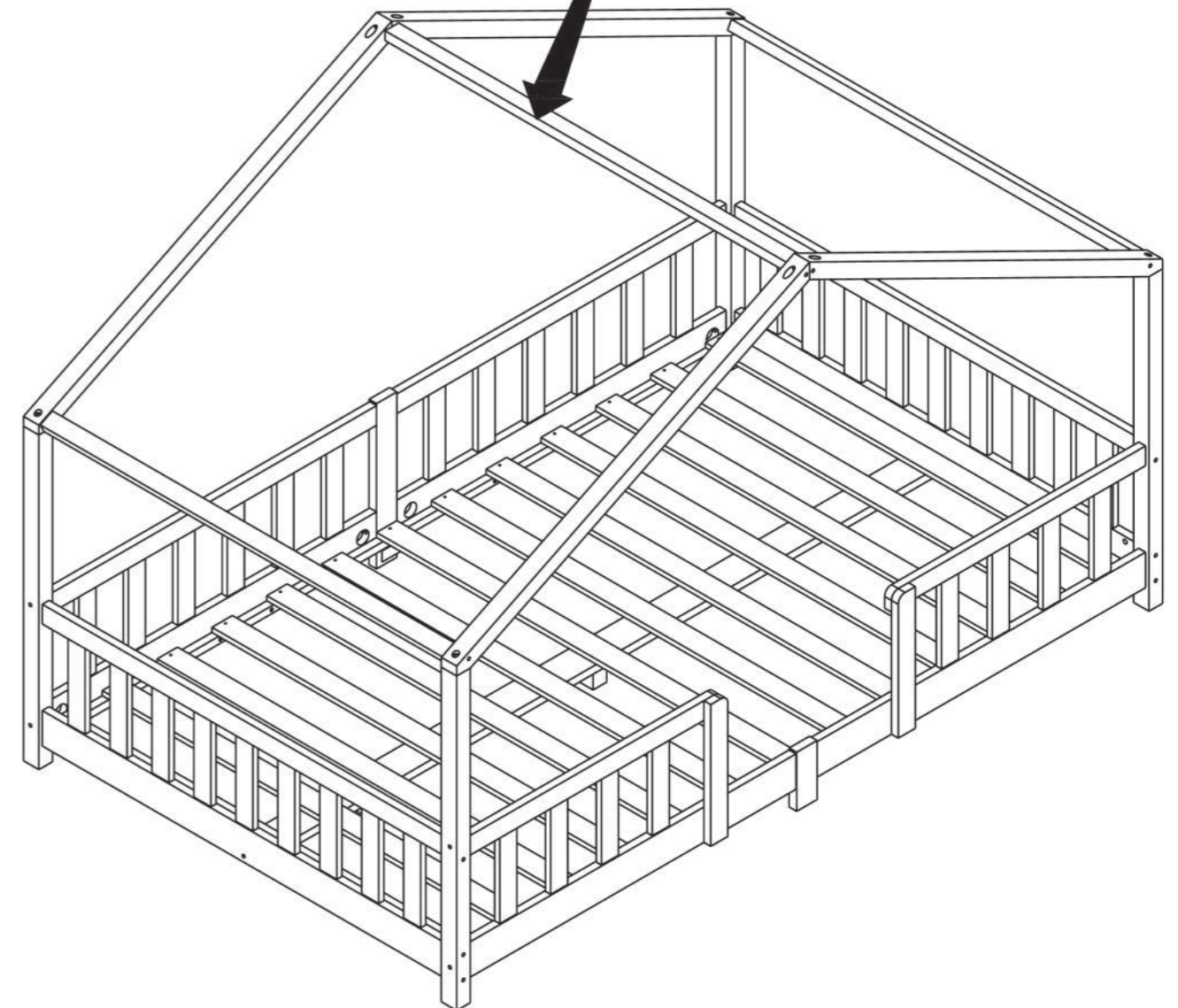


02

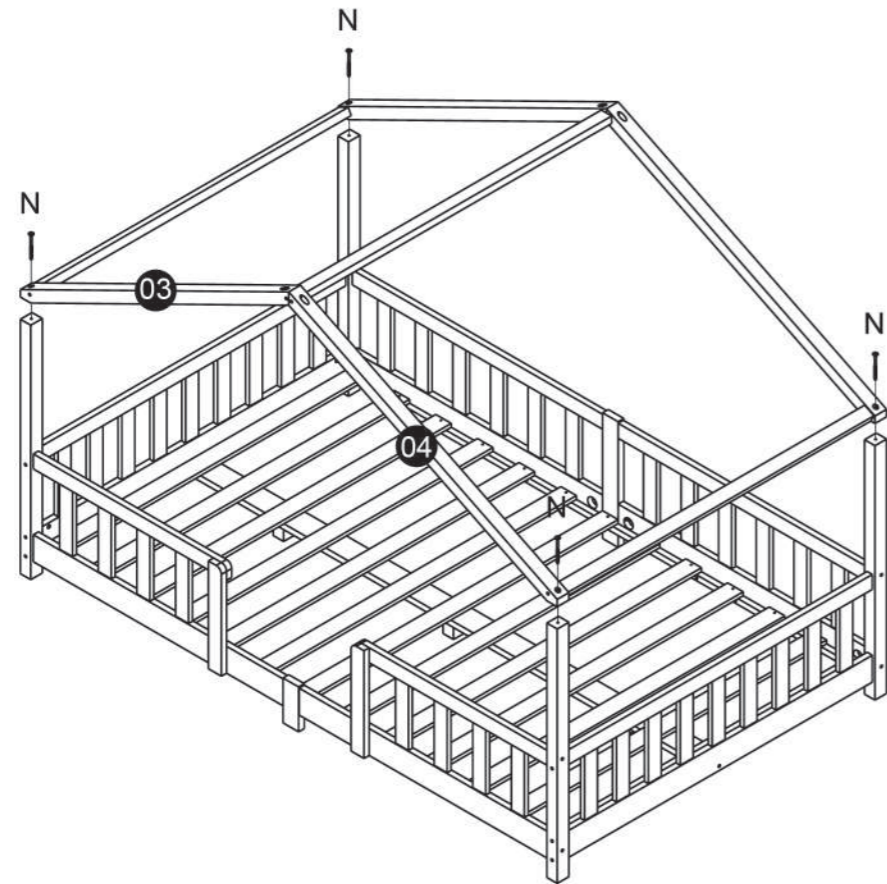




19

NO HANGING

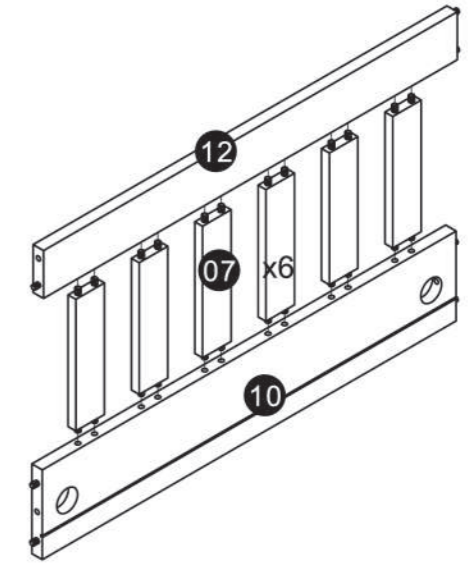
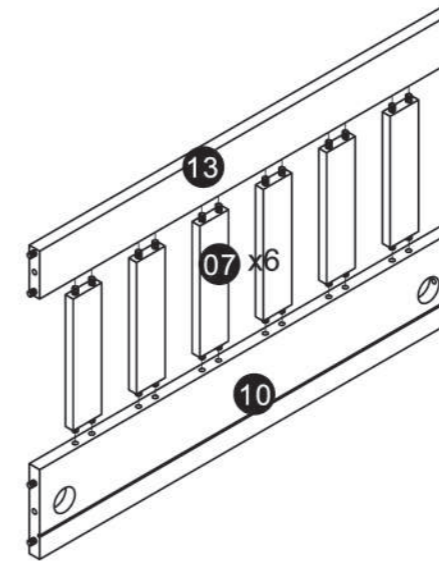
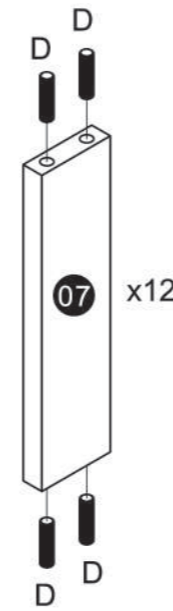



17



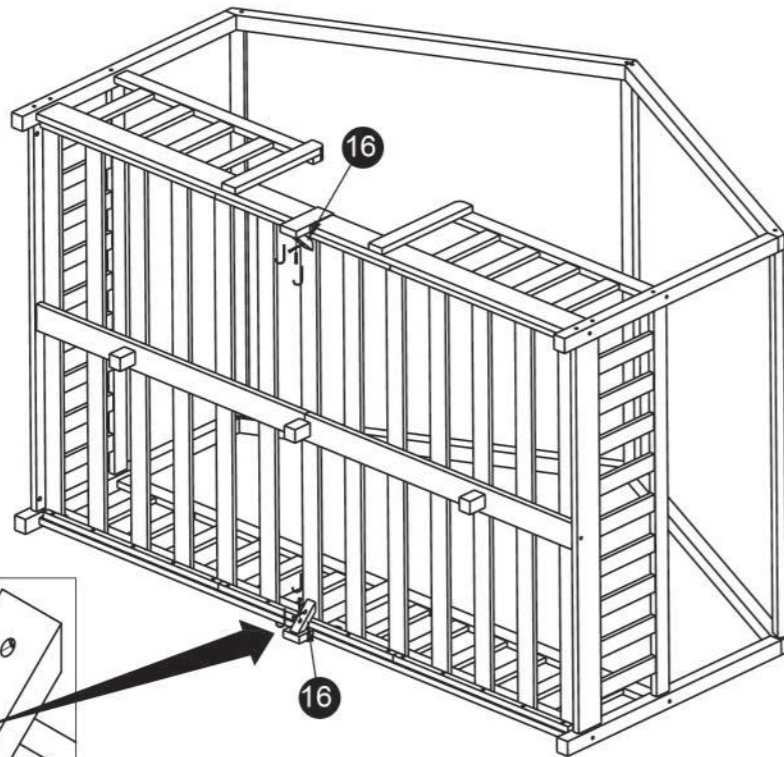
N x4  
  
 Ø6 x80mm  
 L x1  



03

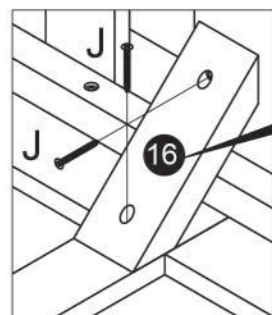


D x48  
  
 Ø8 x30mm

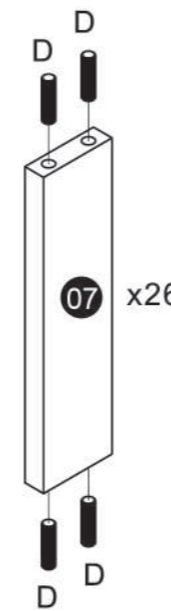
18




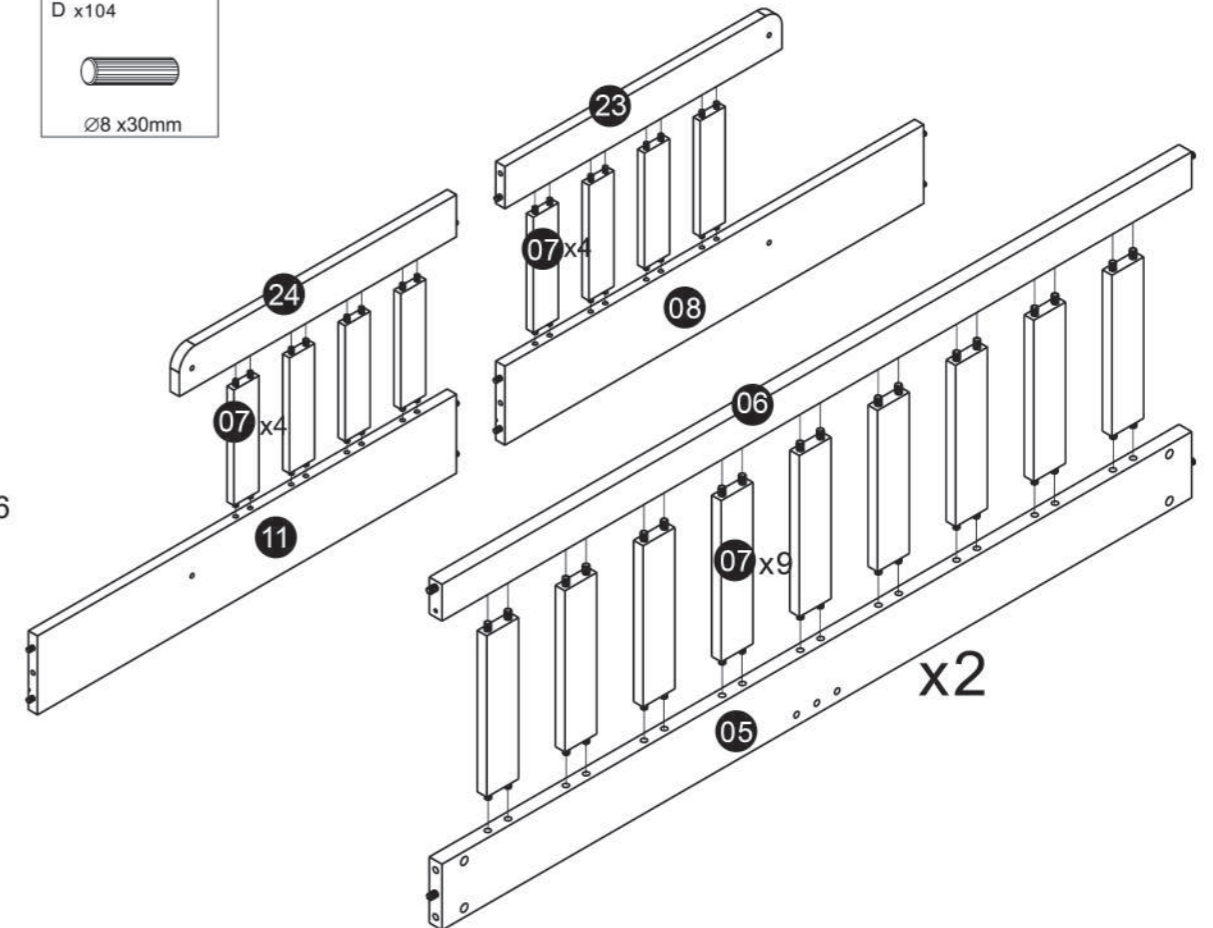
J x4  
  
 Ø4 x30mm

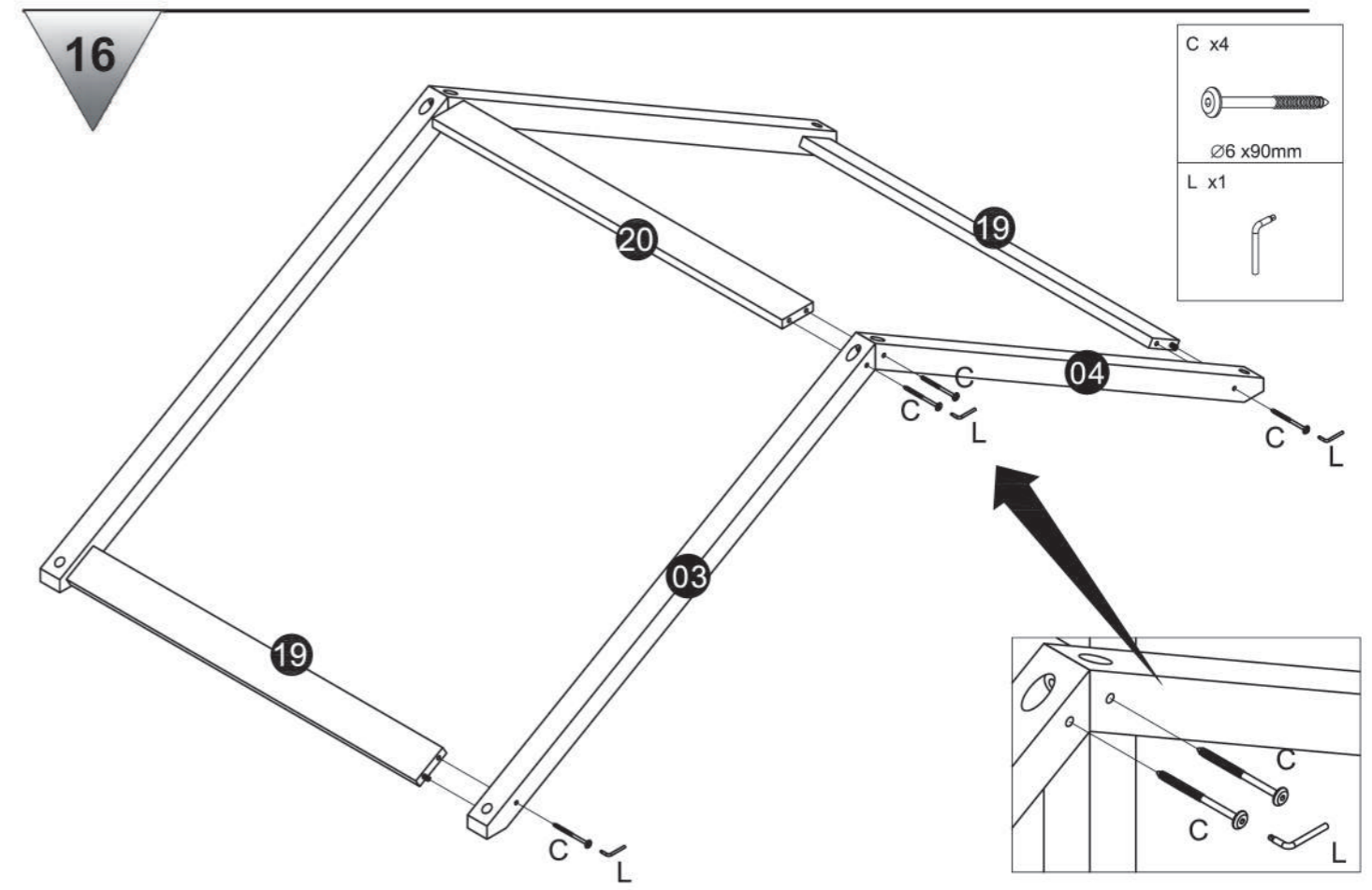
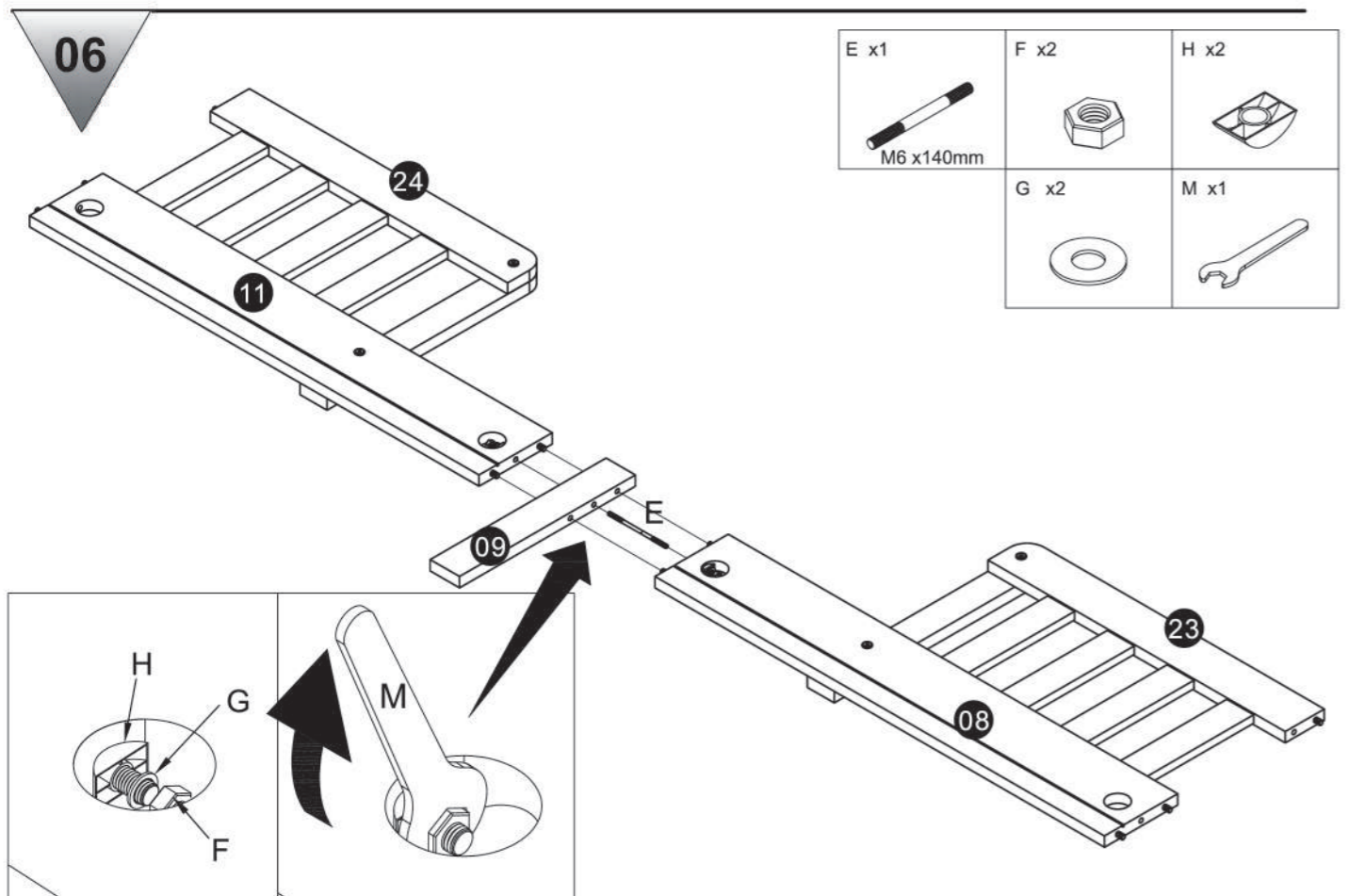
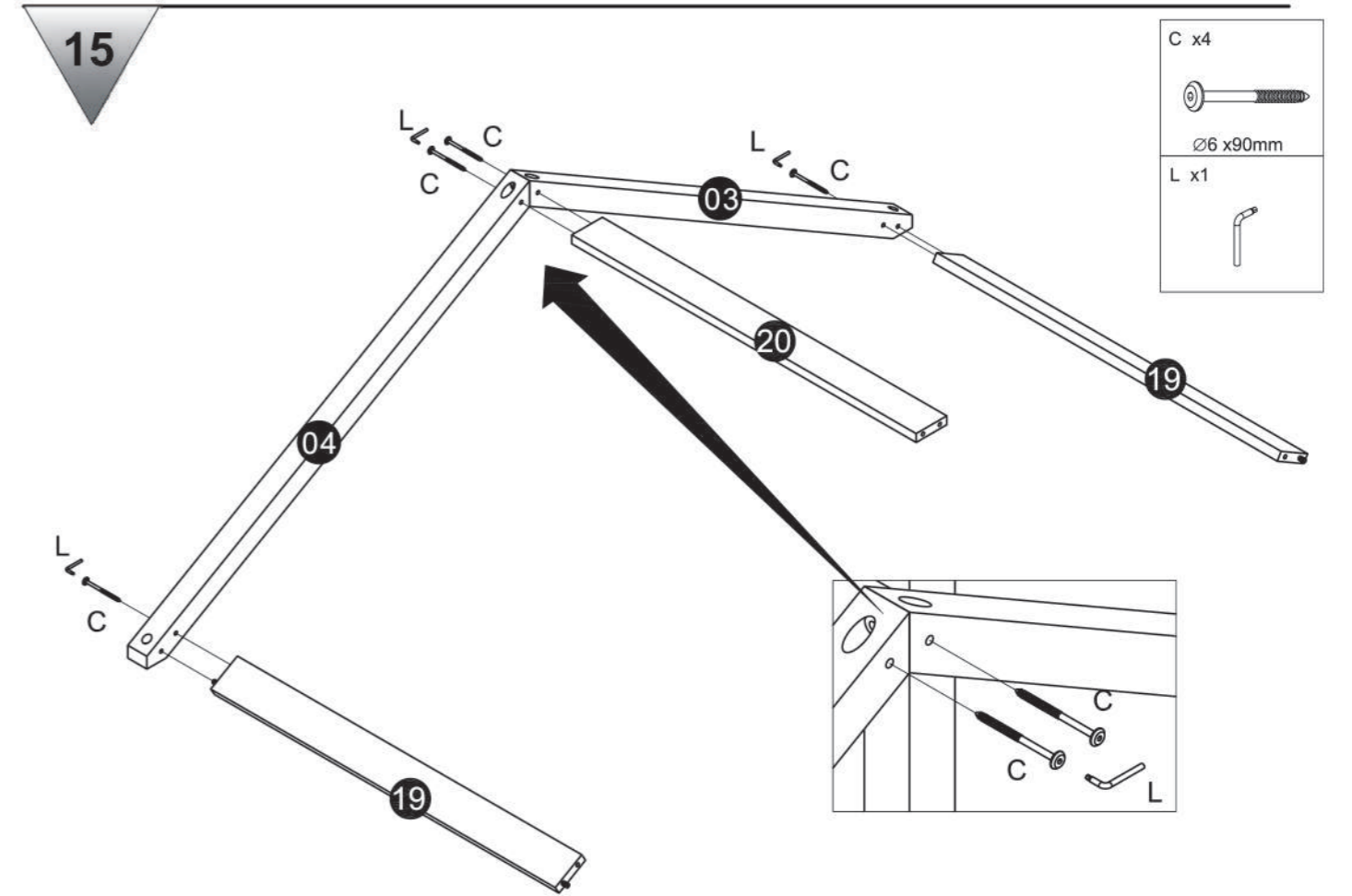
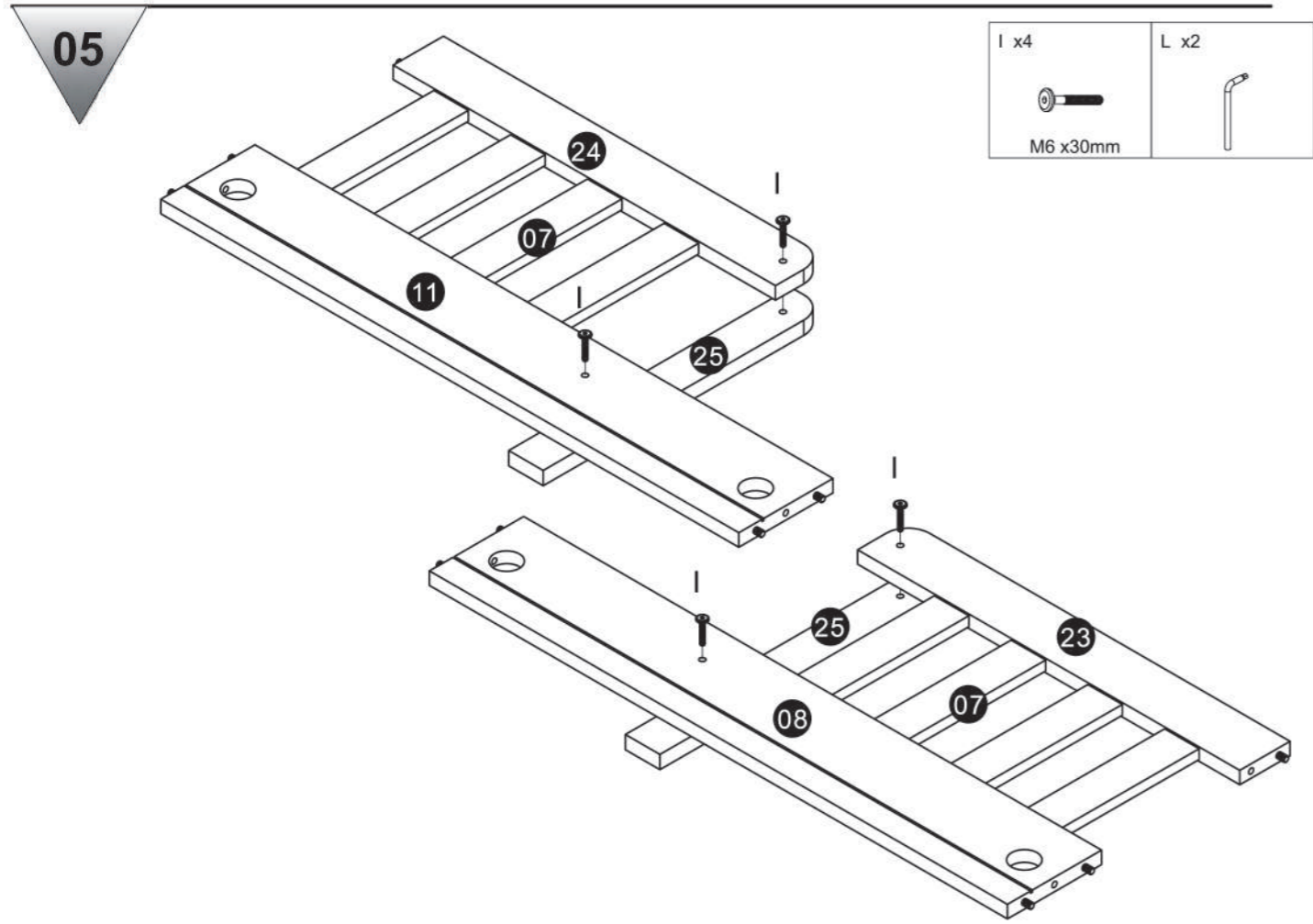


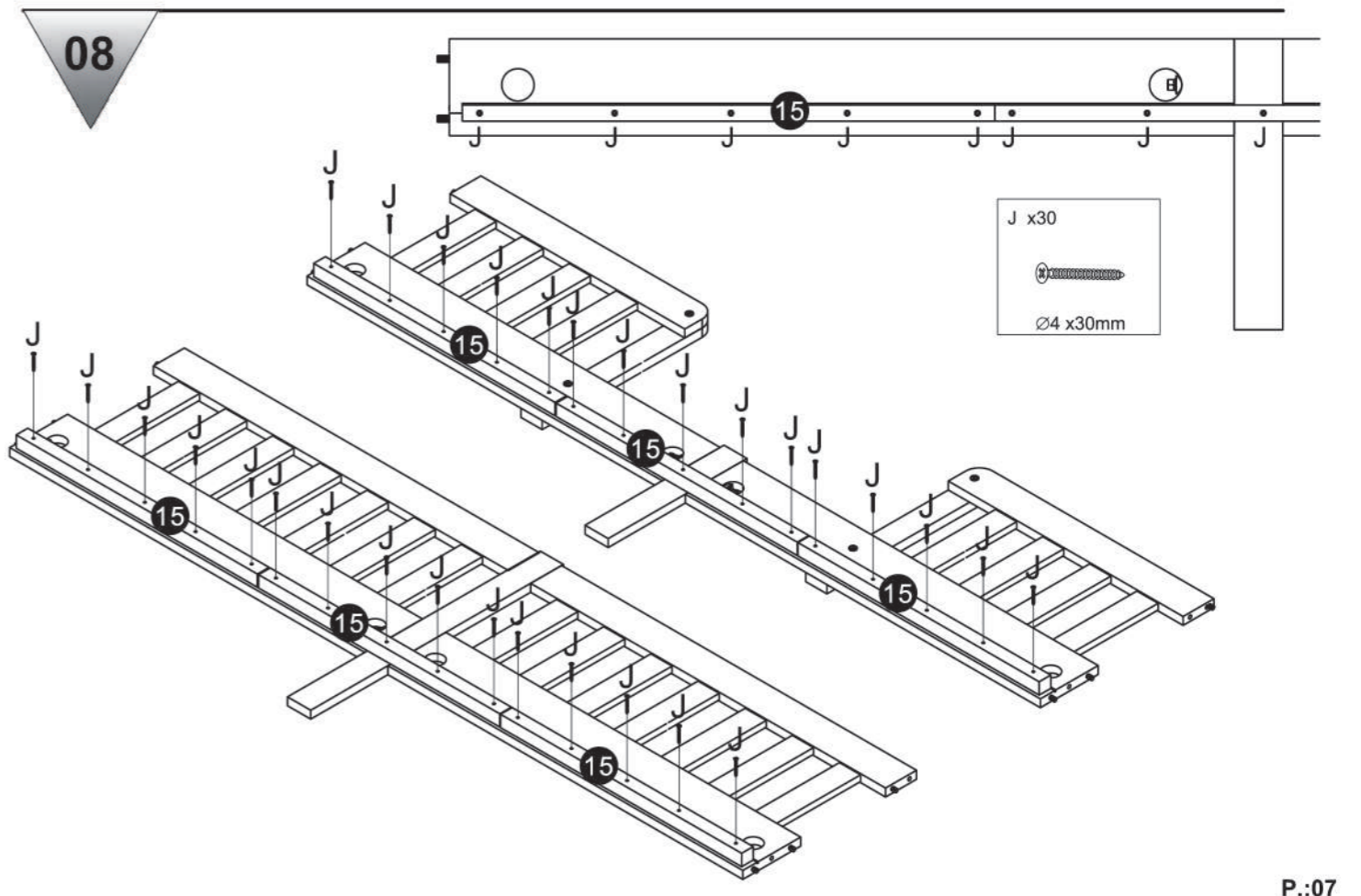
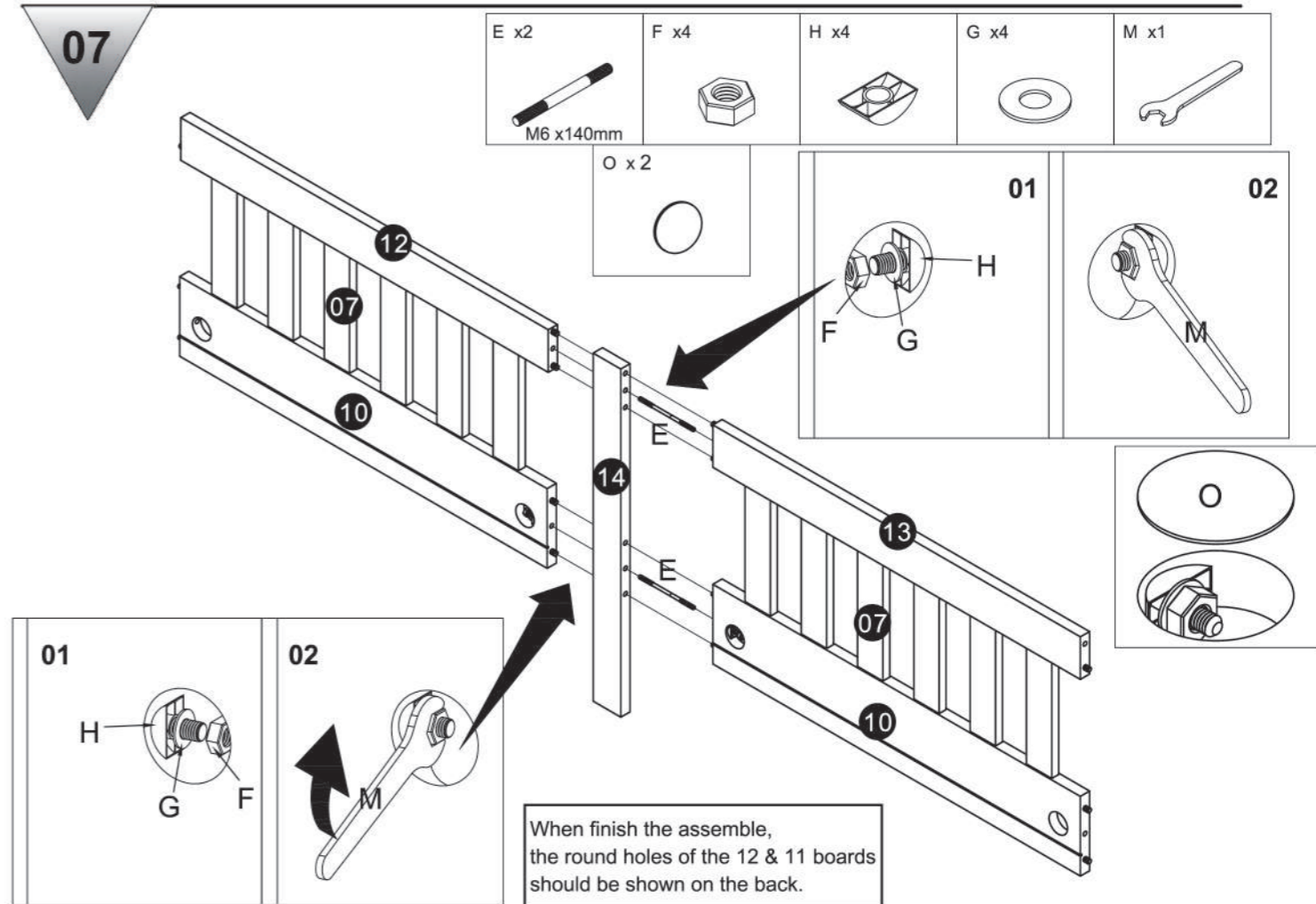
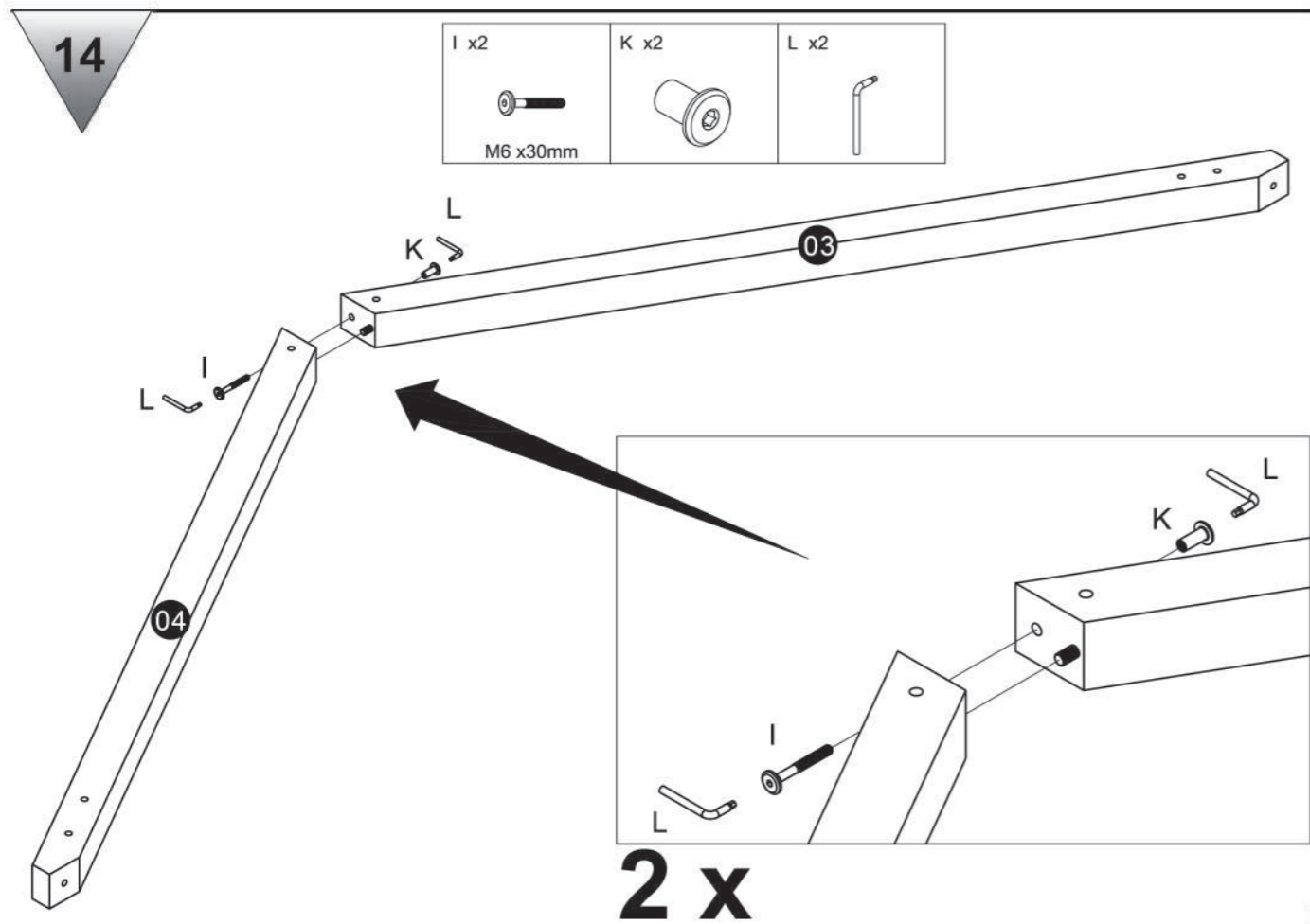
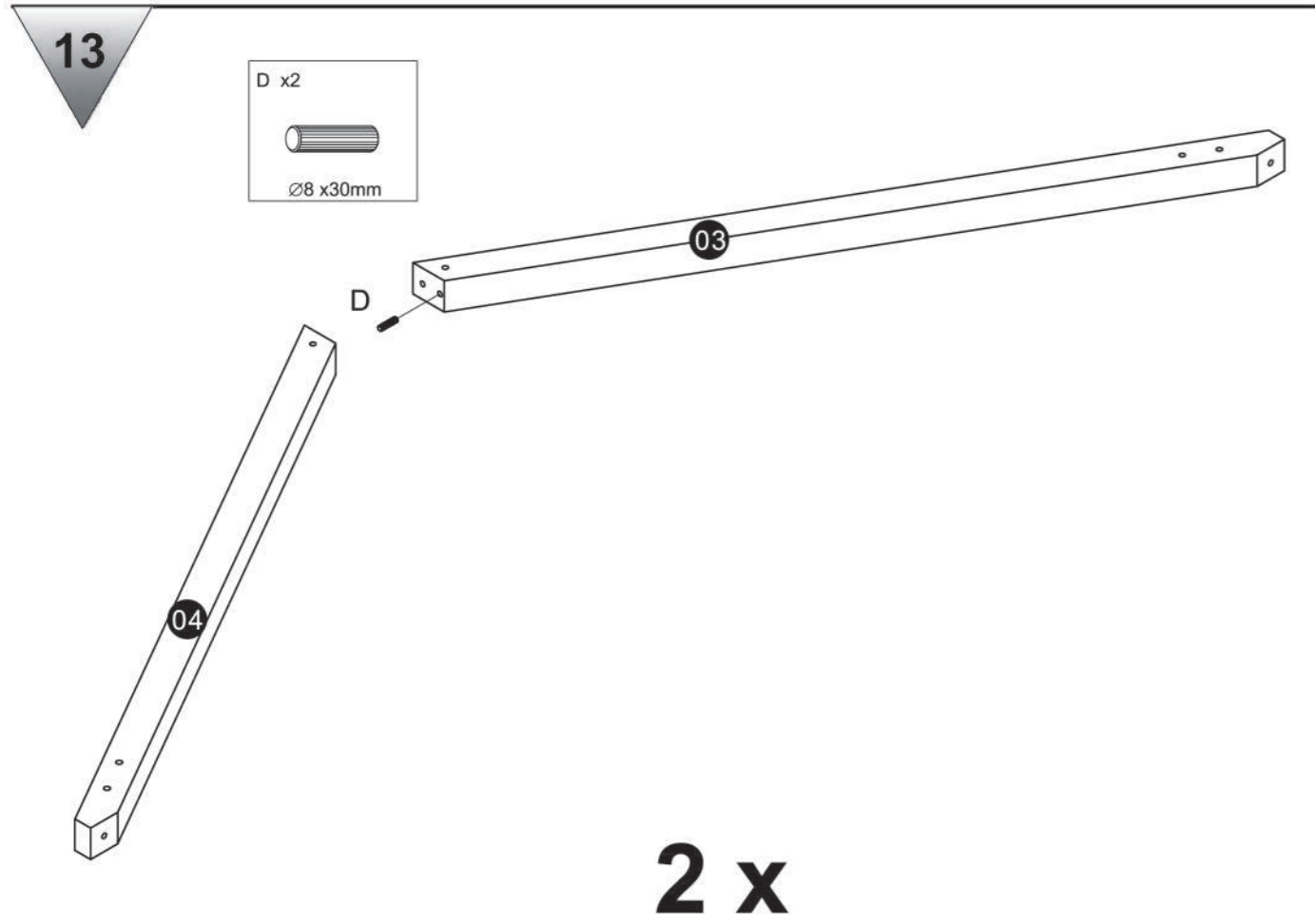
04







D x104  
  
 Ø8 x30mm

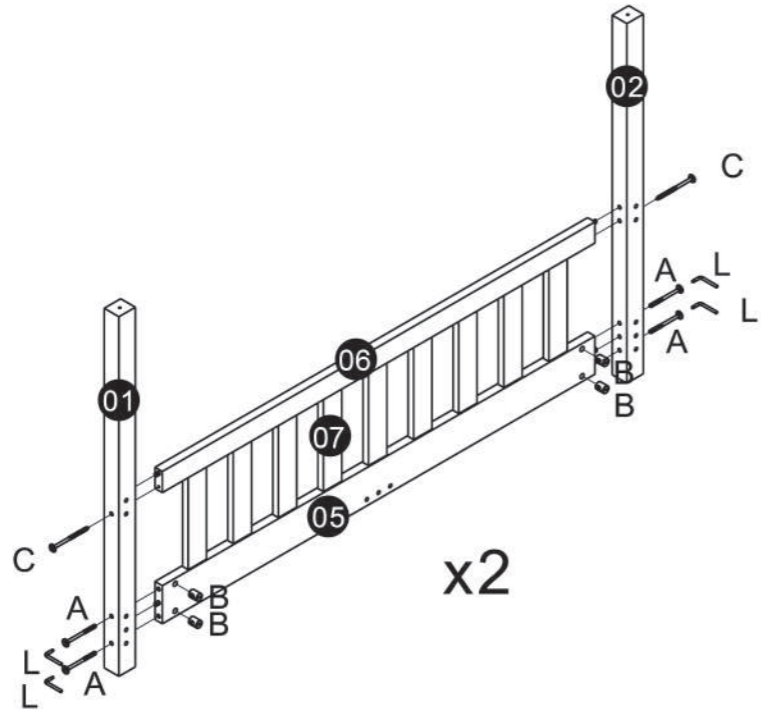








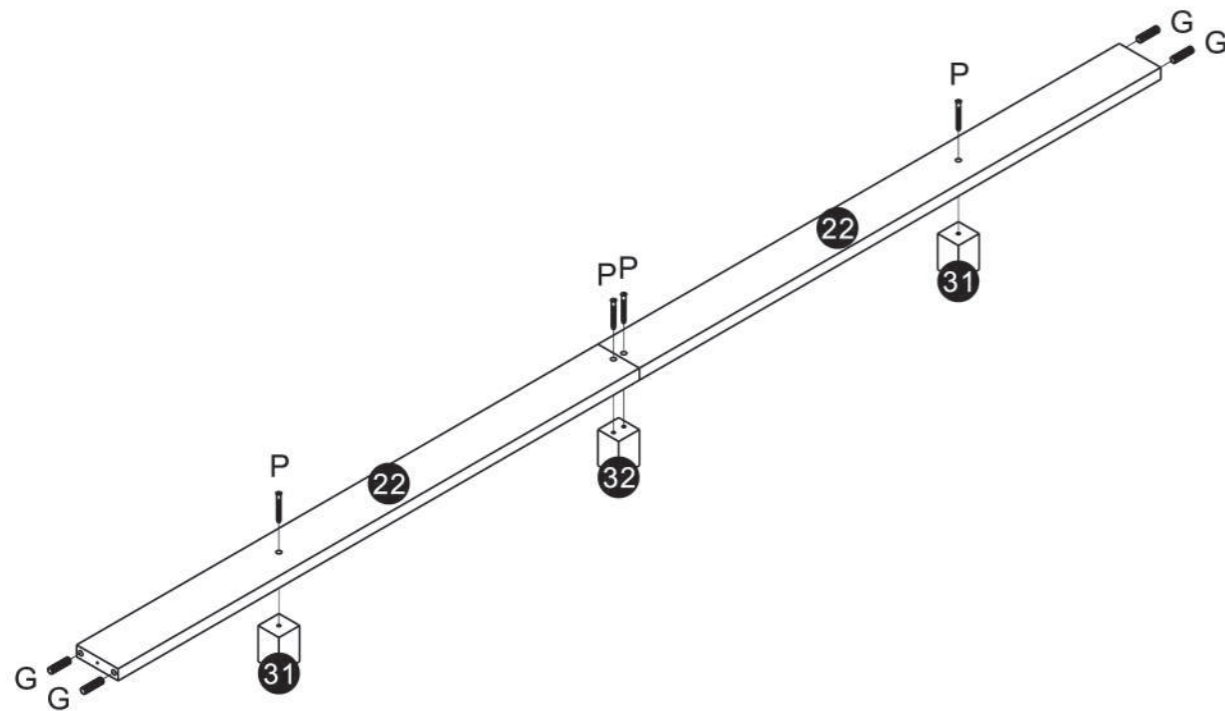
09

L x1 	A x8  M6 x90mm	B x8 	C x4  Ø6 x90mm
---	---	---	---











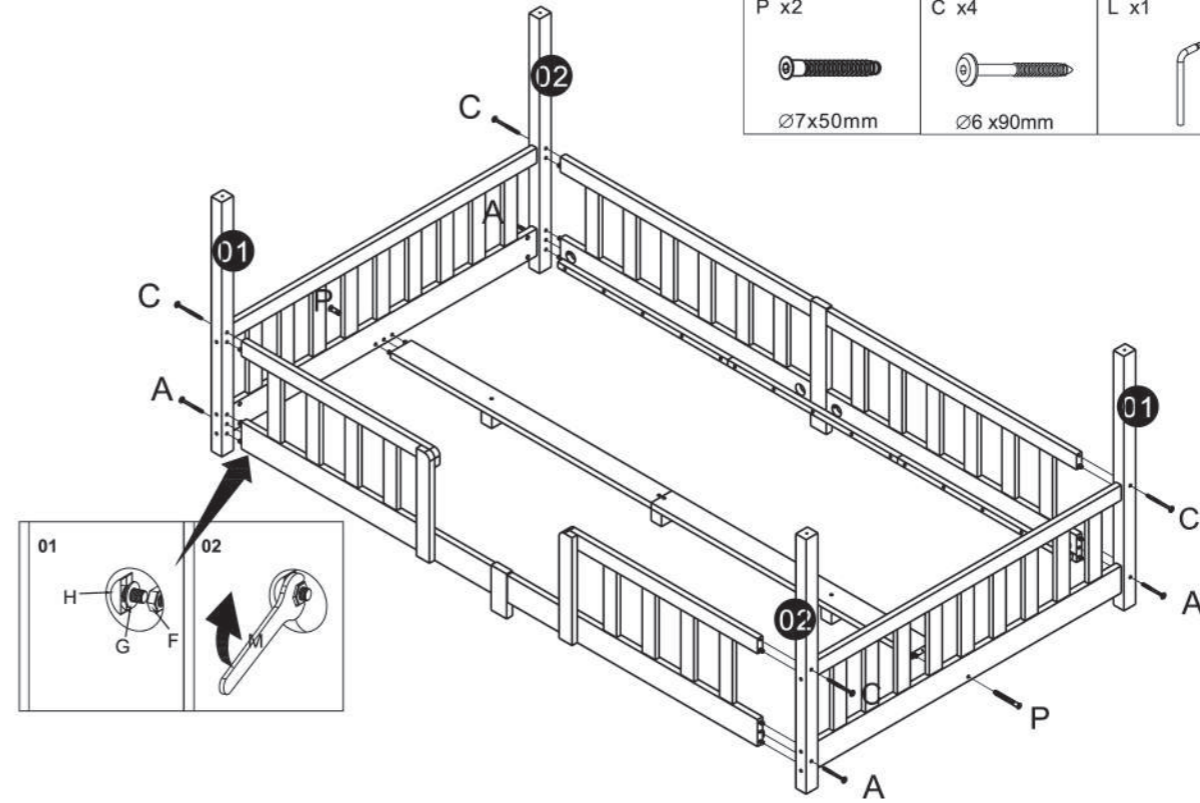
10

P x4  Ø7x50mm	G x4  Ø8 x30mm
--	---




11

G x4 	M x1 	F x4 	H x4 
P x2  Ø7x50mm	C x4  Ø6 x90mm	L x1 	A x4  M6 x90mm



12

J x26  Ø4 x30mm
--

